

GLASS TO METAL PENETRATORS



DESCRIPTION

SEACON's Glass to Metal sealed technology is used in a wide variety of applications, from inserts into SEACON connectors, to high performance and high integrity penetrators. These high performance penetrators are widely used in many applications including instrumentation for extremely difficult environments, such as subsea and down-hole applications in oil and gas wells, or any other application that requires performance under high pressure, vacuum, high temperature, thermal cycling, radiation, shock and vibration.

KEY FEATURES

- Boot preparations for on high pressure side
- Various Interfacing arrangements:
 - Dual O-Ring Sealing
 - Welded profile
- Pressure Tested to 10,000 psi
- Hydrostatic Testing: 0-100 psi / 0-5,000 psi
- Voltage: 5-10 amps dependent on contact and cable conductor size
- Current: 1,500 VDC
- Operating Range: -40 to +125°C
- Helium Leak <math>< 1.5 \times 10^{-8}</math>/sec
- Test / Fill port version available
- Industry Standard Interfaces

DESIGN RATINGS

- Design Pressure Rated to 20,000 psi
- Operating Range: -40 to +125°C
- Insulation Resistance: 2,000 megohms at 1,000 VDC
- Voltage: 5-10 amps dependent on contact and cable conductor size
- Current: 1,500 VDC

MATERIALS

- Stainless Steel
- Gold Plated Alloy 52 contact material
- PEEK insulator material, proprietary epoxy compound
- Compression Glass, proprietary

RELIABILITY

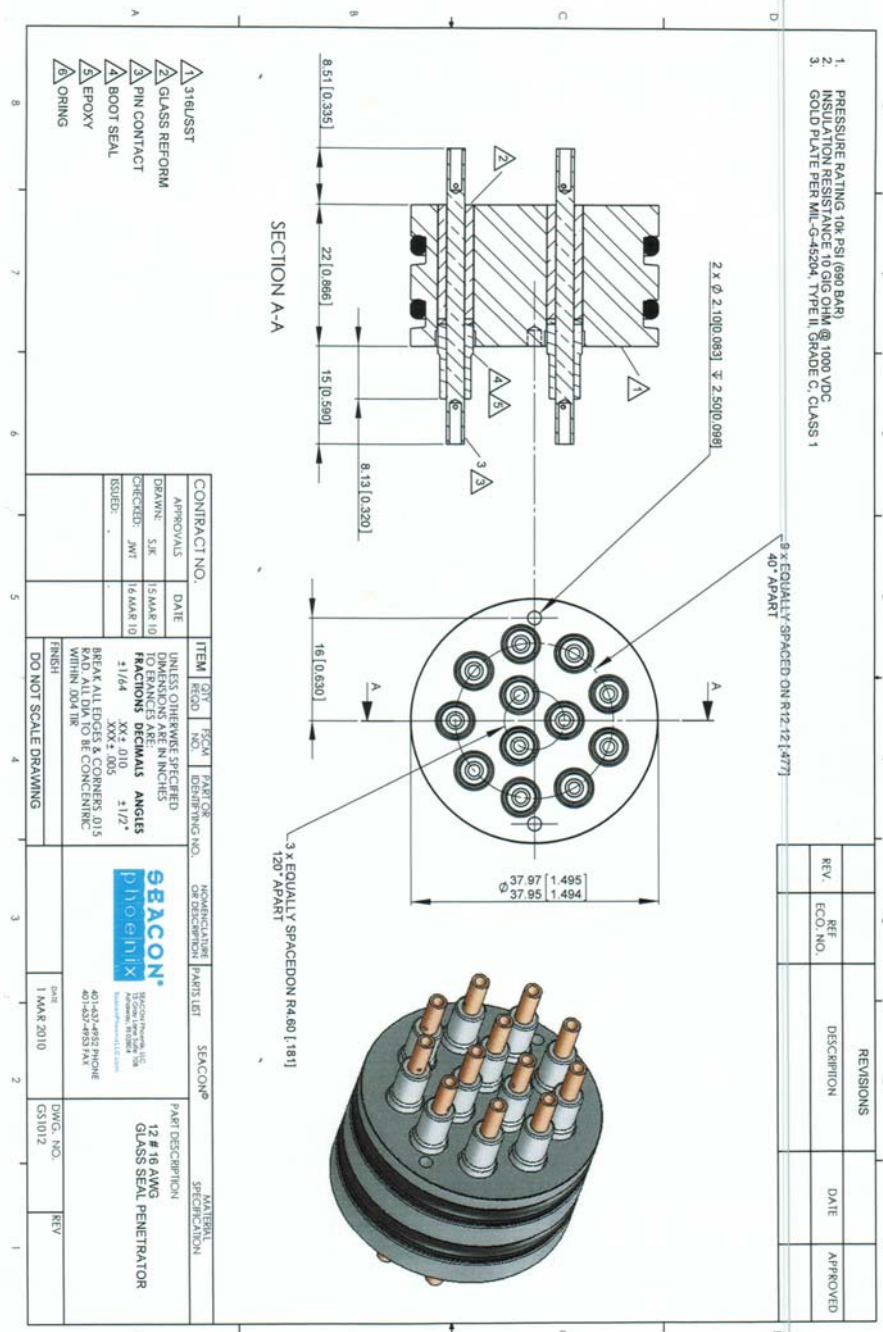
With well in excess of 10,000 different penetrator configurations sold worldwide, these penetrators have proven to be an extremely reliable solution. Due to the length of time these products have been supplied and placed into service it is difficult to maintain a track on reliability



SEACON PHOENIX PRODUCT DATASHEET

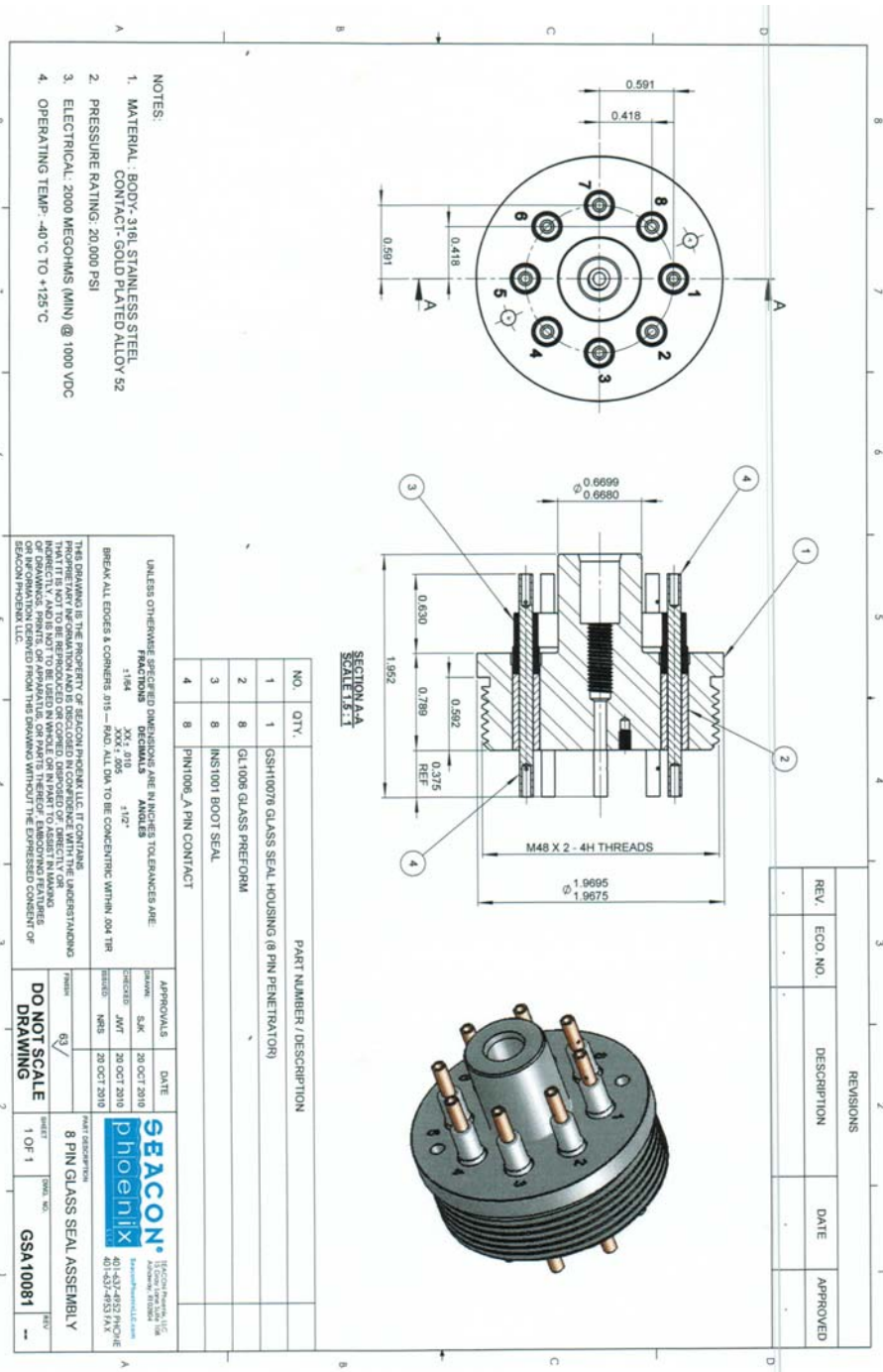
QUALITY

- SEACON Phoenix operate a Quality Management System accredited to ISO 9001.





SEACON PHOENIX PRODUCT DATASHEET



- NOTES:
1. MATERIAL: BODY- 316L STAINLESS STEEL
CONTACT- GOLD PLATED ALLOY 52
 2. PRESSURE RATING: 20,000 PSI
 3. ELECTRICAL: 2000 MEGOHMS (MIN) @ 1000 VDC
 4. OPERATING TEMP- -40°C TO +125°C

UNLESS OTHERWISE SPECIFIED DIMENSIONS ARE IN INCHES TOLERANCES ARE:

FRACTIONS	DECIMALS	ANGLES
1/64	0.005	1/16°
1/32	0.010	

BREAK ALL EDGES & CORNERS R1/8 - RAD. ALL DIM TO BE CONCENTRIC WITHIN .004 TIR

THIS DRAWING IS THE PROPERTY OF SEACON PHOENIX, LLC. IT CONTAINS TRADE SECRETS AND INFORMATION OF SEACON PHOENIX, LLC. IT IS TO BE USED ONLY FOR THE PURPOSES AND IN THE MANNER SPECIFIED HEREIN. ANY REPRODUCTION OR DISSEMINATION OF THIS DRAWING WITHOUT THE WRITTEN PERMISSION OF SEACON PHOENIX, LLC IS STRICTLY PROHIBITED. ANY REPRODUCTION OR DISSEMINATION OF THIS DRAWING WITHOUT THE WRITTEN PERMISSION OF SEACON PHOENIX, LLC IS STRICTLY PROHIBITED.



