

## NEWS BULLETIN

### MINI-CON DUMMY CONNECTORS



#### INTRODUCTION

As part of our continuous improvement process, the SEA CON® Group consistently reviews its product ranges through both customer feedback and internal improvements. It is via these processes that SEA CON® identified a design enhancement to the MINI-CON dry-mate connector range.

#### DESIGN FEATURES

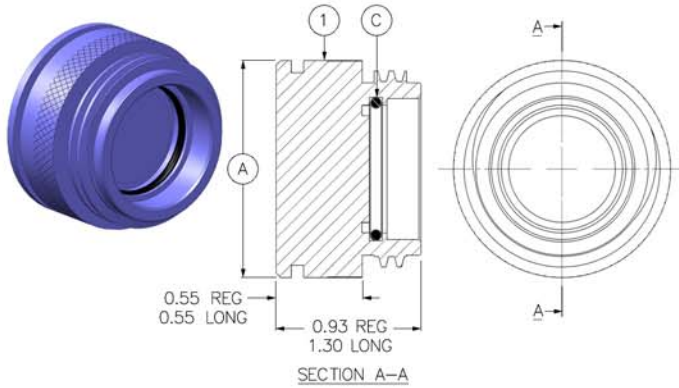
The design change is associated with the dummy connectors. With more and more customers requiring a lanyard attached to the dummy connectors to prevent loss, the DSP/DSR/PSP & PSR have been lengthened slightly and a groove added so that a lanyard can be wrapped around the groove and secured with a crimp fitting. Customers will be provided with a simple crimp fitting for use when attaching the other end of the wire to the cable or whatever equipment the customer chooses to use.

The up-graded design will become standard and available once existing stock of previous parts has been depleted. Dummies do not automatically come with lanyards, please specify at order placement.

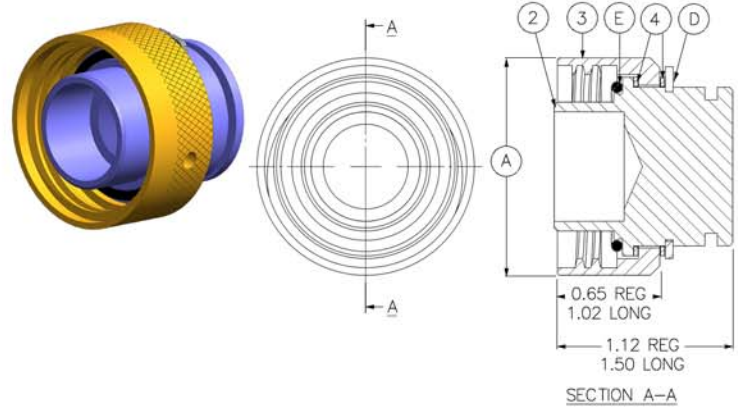
For more details please contact +1 (619) 562-7071 or [seacon@seaconworldwide.com](mailto:seacon@seaconworldwide.com)

## DIMENSION DETAILS

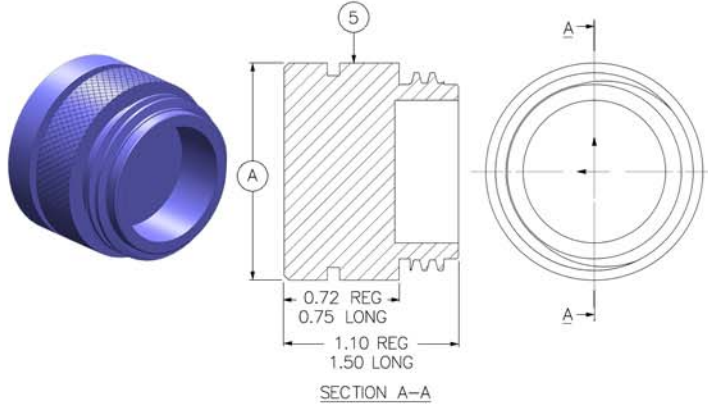
**MIN-DSR / MIN-DSRL (LONG)**  
MINI-CON Dummy Sealing Receptacle



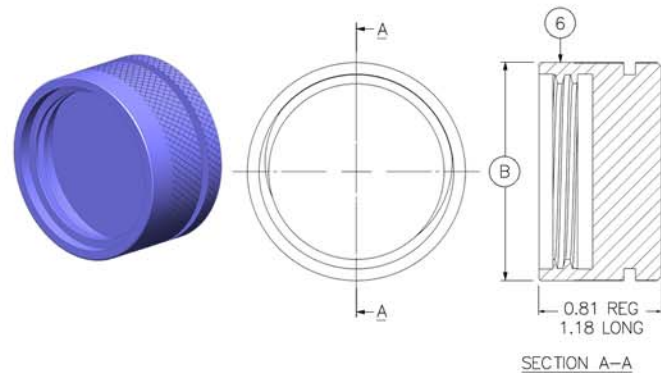
**MIN-DSP / MIN-DSPL (LONG)**  
MINI-CON Dummy Sealing Plug



**MIN-PSR / MIN-PSRL (LONG)**  
MINI-CON Plastic Splashproof Receptacle



**MIN-PSP / MIN-PSPL (LONG)**  
MINI-CON Plastic Splashproof Plug



DUMMY / SPLASHPROOF CONNECTOR SIZE	A - Ø (INCHES)	B - Ø (INCHES)	C - O-RING	D - RETAINING RING*	E - O-RING
MIND	0.75	0.81	2-011	5100-46	2-012
MINE	0.87	0.93	2-013	5100-59	2-014
MING	1.00	1.06	2-014	5100-68	2-015
MINK	1.12	1.20	2-016	5100-78	2-017
MINL	1.25	1.31	2-018	5100-87	2-019
MINM	1.37	1.44	2-019	5100-100	2-020
MINO	1.62	1.68	2-023	5100-118	2-024
MINP	1.75	1.81	2-025	5100-131	2-027
MINQ	1.87	1.94	2-028	5100-150	2-028
MINR	2.00	2.12	2-029	5100-156	2-029
MINT	2.50	2.62	2-031	5100-187	2-032
MINU	2.75	2.87	2-033	5100-206	2-033
MINX	3.50	3.62	2-037	5100-268	2-038

1. MIN-DSR / DSRL - 316 Stainless Steel Per ASTM A 484.
2. MIN-DSP / DSPL - 316 Stainless Steel Per ASTM A 484.
3. ENGAGING NUT - Copper Alloy 630 Per ASTM B 150.
4. ENGAGING NUT WASHER - Acetal Per ASTM D 4181, Black.
5. MIN-PSR / PSRL - Acetal Per ASTM D 4181, Black.
6. MIN-PSP / PSPL - Acetal Per ASTM D 4181, Black.

**NOTES:**

- Please contact SEA CON® for appropriate dummy connectors for use on compensated systems or PBOF connectors.
- Splashproof connectors are not designed for submergence.
- \* High Grade Stainless Steel.

All reasonable efforts have been taken to ensure that the information contained herein is accurate at the date of publication, but no representation or warranty as to the accuracy or completeness of such information is intended or to be implied by its inclusion herein. Any and all representations and warranties pertaining to the information and products referred to herein shall be set forth in SEA CON® standard sales order form. In addition, SEA CON® reserves the right to make changes to the contents hereof without notice, therefore it is suggested that at the time of inquiry, the appropriate sales office or factory be contacted directly for verification of published specifications and products availability.

© 2012 SEA CON®  
ALL RIGHTS RESERVED