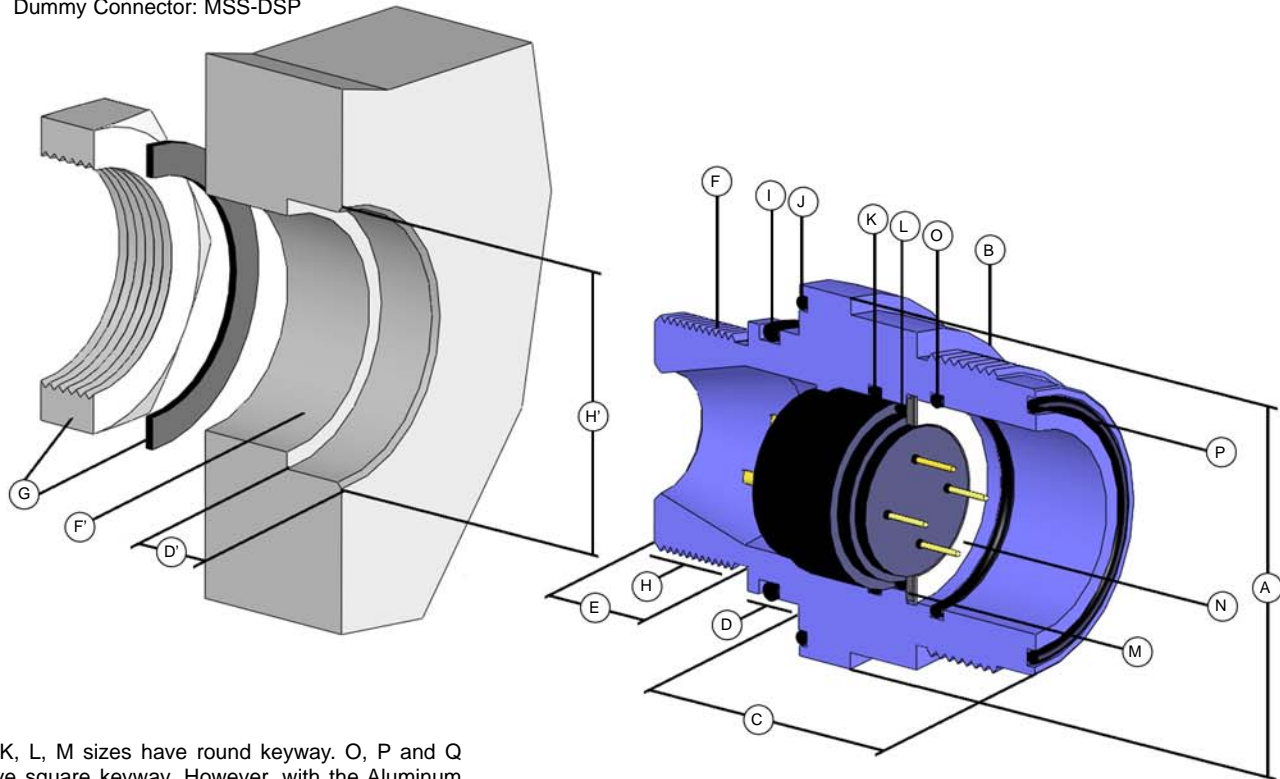


METAL SHELL SERIES (MSS)
MSS-BCR

MSS Bulkhead Connector Receptacle
(Mates with MSS-CCP)
Dummy Connector: MSS-DSP



G, K, L, M sizes have round keyway. O, P and Q have square keyway. However, with the Aluminum option all sizes have a square keyway. Refer to pages 11-16 for contact configurations. G, K, L, M Aluminum connectors will not mate with Stainless Steel connectors.

PART DESCRIPTION	CONNECTOR SIZE						
	G	K	L	M	O	P	Q
A - DIAMETER (INCHES)	1.37	1.87	2.12	2.75	3.50	3.75	4.50
B - WRENCH FLATS	1.18	1.62	1.88	2.25	2.75	3.00	3.62
C - HEIGHT	1.50	2.00	2.00	2.25	2.25	2.25	2.25
D - SHOULDER	0.37	0.37	0.37	0.50	0.50	0.75	0.75
E - THREAD LENGTH	0.62	1.00	1.00	0.87	1.25	1.50	1.75
F - THREAD SIZE	3/4 - 16UNF - 2A	1 - 14UNS - 2A	1 1/4 - 2UN - 2A	1 3/4 - 12UN - 2A	2 1/4 - 12UN - 2A	2 1/2 - 12UN - 2A	2 3/4 - 12UN - 2B
G - HEX NUT (ACROSS FLATS INCHES)	1.2 X 0.25	1.50 X 0.37	1.75 X 0.25	2.25 X 0.50	3.00 X 0.50	3.25 X 0.50	3.75 X 0.50
H - DIAMETER	0.810 max	1.060 max	1.310 max	1.997 max	2.497 max	2.747 max	3.122 max
I - O-RING	2 - 017	2 - 21	2 - 122	2 - 224	2 - 228	2 - 230	2 - 233
J - O-RING	2 - 023	2 - 29	2 - 131	2 - 142	2 - 234	2 - 236	2 - 241
K - O-RING	2 - 016	2 - 118	2 - 122	2 - 126	2 - 225	2 - 227	2 - 230
L - O-RING	NONE	2 - 18	2 - 022	2 - 123	2 - 131	2 - 135	2 - 141
M - WASHER	NONE	77 - 1 - 274	77 - 1 - 374	77 - 1 - 474	77 - 1 - 574	77 - 1 - 674	77 - 1 - 774
N - SPIROLOX RING	UR - 62	UR - 106	UR - 131	UR - 150	UR - 187	UR - 212	UR - 250
O - O-RING	2 - 016	2 - 23 - 70	2 - 027	2 - 128	2 - 225	2 - 227	2 - 230
P - O-RING	2 - 020	2 - 27 - 70	5 - 320	2 - 132	2 - 140	2 - 144	2 - 151

MOUNTING DIMENSIONS

DIMENSIONS IN INCHES

D' - BORE DEPTH	0.380/min	0.380/min	0.380/min	0.520/min	0.520/min	0.520/min	0.770/min
F' - BORED	0.750/min	0.995/min	1.250/min	1.750/min	2.250/min	2.500/min	2.750/min
THREADED	3/4 - 16UNF - 2B	1 - 14NS - 2B	1 1/4 - 12UN - 2B	1 3/4 - 12UN - 2B	2 1/4 - 12UN - 2B	2 1/2 - 12UN - 2B	2 3/4 - 12UN - 2B
H' - BORE DIAMETER	0.812/0.814	1.062/1.064	1.312/1.314	2.000/2.002	2.500/2.502	2.750/2.752	3.125/3.127

NOTE:

For MSS-S connector details please contact SEACON.