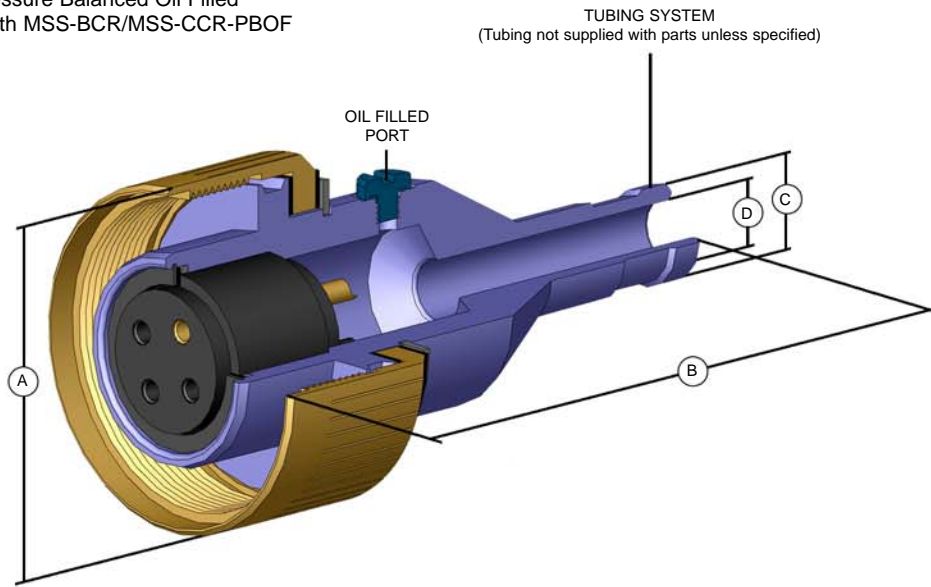


METAL SHELL SERIES (MSS)
MSS-CCP-PBOF

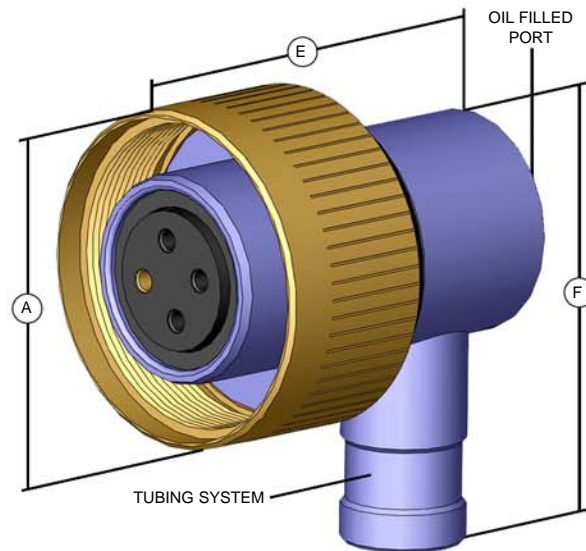
MSS Cable Connector Plug
 Pressure Balanced Oil Filled
 Mates with MSS-BCR/MSS-CCR-PBOF



CONNECTOR	A - DIAMETER (INCHES)	B - LENGTH (INCHES)	C - DIAMETER (INCHES)	D - DIAMETER (INCHES)	E - LENGTH (INCHES)	F - R/A HEIGHT (INCHES)
MSSK-CCP-PBOF	1.87	3.00	0.672	0.48	2.37	2.12
MSSL-CCP-PBOF	2.12	3.75	0.844	0.62	2.82	2.56
MSSM-CCP-PBOF	2.50	5.00	0.844	0.62	3.26	3.00
MSSO-CCP-PBOF	3.00	5.81	1.000	0.62	3.50	3.75
MSSP-CCP-PBOF	3.25	6.62	1.000	0.82	3.37	3.75
MSSQ-CCP-PBOF	3.87	7.00	1.250	1.06	4.19	4.12

METAL SHELL SERIES (MSS)
MSS-CCP-PBOF-R/A

MSS Cable Connector Plug
 Pressure Balanced Oil Filled
 Mates with MSS-BCR/MSS-CCR-PBOF



SPECIFICATION:

- BODY MATERIAL: 316 Stainless Steel.
- NUT: Bronze.
- INSERT: Glass Reinforced Epoxy.
- CONTACTS: Brass, gold plated.
- PRESSURE RATING: 7,500 psi.