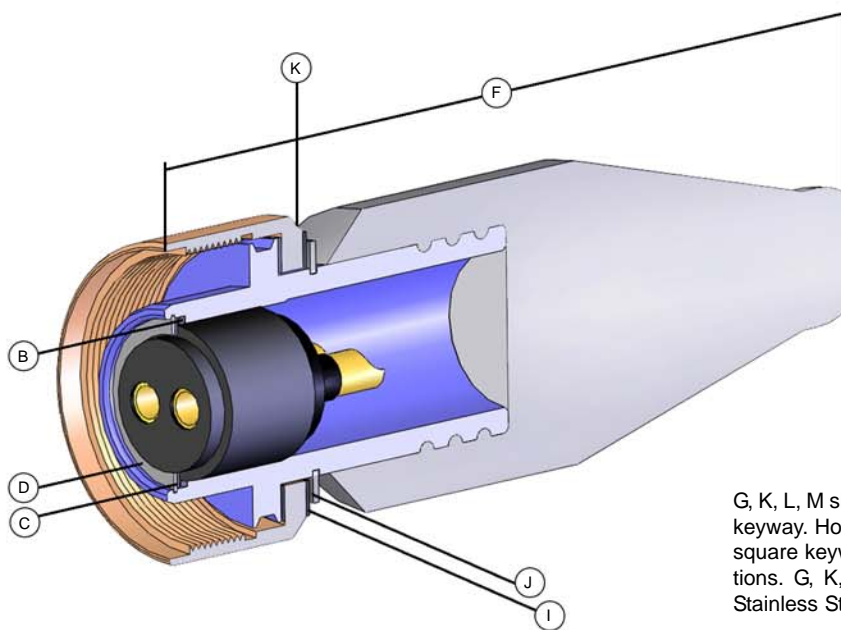


**METAL SHELL SERIES (MSS)
MSS-CCP**

MSS Cable Connector Plug, Straight
Mates with MSS-BCR/CCR/FCR
Dummy Connector: MSS-DSR

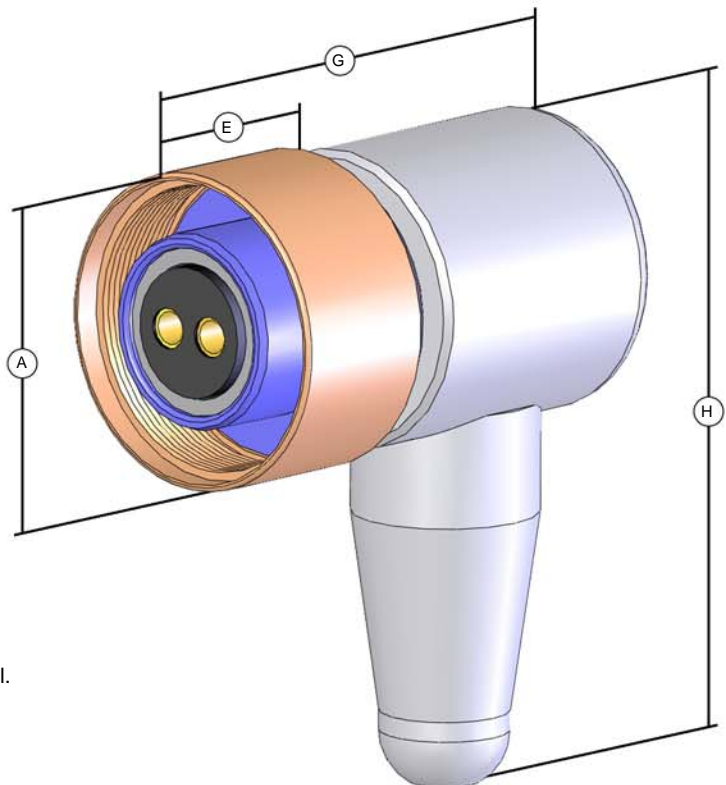


G, K, L, M sizes have round keyway. O, P and Q have square keyway. However, with the Aluminum option all sizes have a square keyway. Refer to pages 11-16 for contact configurations. G, K, L, M Aluminum connectors will not mate with Stainless Steel connectors.

PART DESCRIPTION	CONNECTOR SIZE						
	G	K	L	M	O	P	Q
A - DIAMETER	1.37	1.87	2.12	2.50	3.00	3.25	3.87
B - O-RING	-	2 - 017	2 - 021	2 - 024	-	2 - 131	2 - 137
C - WASHER	-	77 - 1 - 261	77 - 1 - 373	77 - 1 - 473	77 - 1 - 573	77 - 1 - 673	14 - 979
D - SPIROLOX	-	UR - 87	UR - 112	UR - 137	UR - 162	UR - 187	UR - 225
E - ENGAGING NUT	1.09	1.22	1.22	1.87	1.87	1.87	1.87
F - LENGTH	5.3	6.0	6.0	10.5	10.5	10.8	11.5
G - HEIGHT	3.0	3.25	3.25	4.7	5.3	5.3	6.0
H - HEIGHT	3.5	3.5	4.50	6.7	7.8	7.8	9.6
I - ENGAGING NUT	77 - 1 - 148	77 - 1 - 248	77 - 1 - 348	77 - 1 - 448	77 - 1 - 548	77 - 1 - 648	77 - 1 - 748
J - RETAINING RING	5100 - 87	5100 - 112	5100 - 137	5100 - 162	5100 - 212	5100 - 237	5100 - 275
K - DIAMETER	0.87	1.12	1.37	1.62	2.12	2.37	2.75

**METAL SHELL SERIES (MSS)
MSS-CCP-R/A**

MSS Cable Connector Plug, Right Angle
Mates with MSS-BCR/CCR/FCR
Dummy Connector: MSS-DSR



NOTE:

Dimensions in inches.
Refer to pages 11-16 for contact configurations.

MSS-G-CCP body is Glass Reinforced Epoxy. The nut is metal.
Connector does not come molded to cable unless specified.

For MSS-S connector details please contact SEACON.