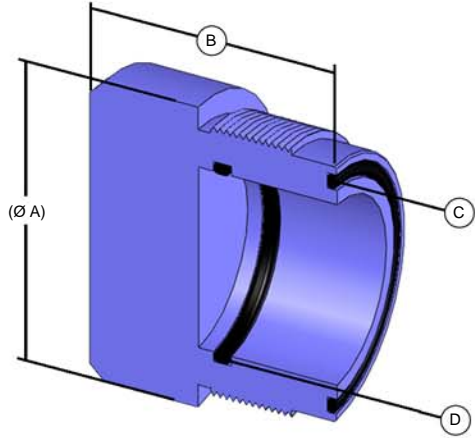


METAL SHELL SERIES (MSS)
MSS-DSR

MSS Dummy Sealing Receptacle



| PART DESCRIPTION | CONNECTOR SIZE | | | | | | | |
|------------------|----------------|-------|-------|-------|-------|-------|-------|-------|
| | G | K | L | M | O | P | Q | S |
| A - DIAMETER | 1.37 | 1.87 | 2.12 | 2.50 | 3.00 | 3.25 | 3.87 | 4.62 |
| B - LENGTH | 1.25 | 1.50 | 1.50 | 2.00 | 2.00 | 2.00 | 2.12 | 2.12 |
| C - O-RING | 2-020 | 2-027 | 5-320 | 2-132 | 2-140 | 2-144 | 2-151 | 2-153 |
| D - O-RING | 2-016 | 2-023 | 2-027 | 2-128 | 2-225 | 2-227 | 2-230 | 2-236 |

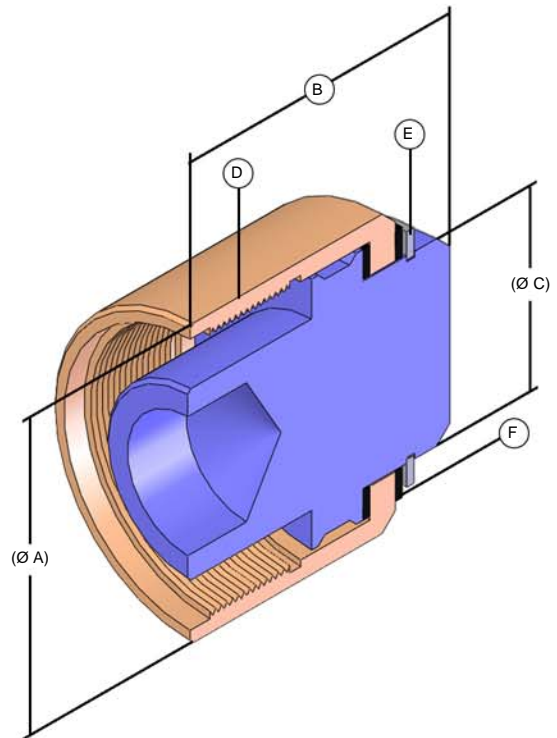
NOTE:

MATERIAL: 316 Stainless Steel.

Other materials available on request.

METAL SHELL SERIES (MSS)
MSS-DSP

MSS Dummy Sealing Plug



| PART DESCRIPTION | CONNECTOR SIZE | | | | | | | |
|--------------------|----------------|----------|----------|----------|----------|----------|----------|----------|
| | G | K | L | M | O | P | Q | S |
| A - DIAMETER | 1.37 | 1.87 | 2.12 | 2.50 | 3.00 | 3.25 | 3.87 | 4.62 |
| B - LENGTH | 1.56 | 1.56 | 1.56 | 2.37 | 2.37 | 2.37 | 2.37 | 2.37 |
| C - DIAMETER | 0.87 | 1.12 | 1.37 | 1.62 | 2.12 | 2.37 | 2.75 | 3.50 |
| D - ENGAGING NUT | 77-2-120 | 77-2-220 | 77-2-320 | 77-2-420 | 77-2-520 | 77-2-620 | 77-2-720 | 77-2-920 |
| E - RETAINING RING | 5100-87 | 5100-112 | 5100-137 | 5100-162 | 5100-212 | 5100-237 | 5100-275 | 5100-350 |
| F - WASHER | 77-1-148 | 77-1-248 | 77-1-348 | 77-1-448 | 77-1-548 | 77-1-648 | 77-1-748 | 77-1-948 |

NOTE:

MATERIAL: 316 Stainless Steel with a CA630 engaging nut, however the material for the MSSG is GRE (Glass Reinforced Epoxy) with a CA630 engaging nut.

Other materials available on request.