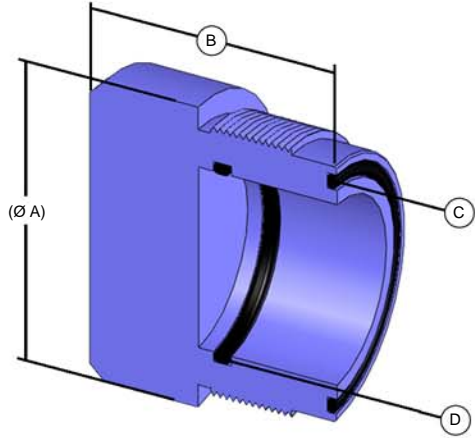


METAL SHELL SERIES (MSS)
MSS-DSR

MSS Dummy Sealing Receptacle



PART DESCRIPTION	CONNECTOR SIZE							
	G	K	L	M	O	P	Q	S
A - DIAMETER	1.37	1.87	2.12	2.50	3.00	3.25	3.87	4.62
B - LENGTH	1.25	1.50	1.50	2.00	2.00	2.00	2.12	2.12
C - O-RING	2-020	2-027	5-320	2-132	2-140	2-144	2-151	2-153
D - O-RING	2-016	2-023	2-027	2-128	2-225	2-227	2-230	2-236

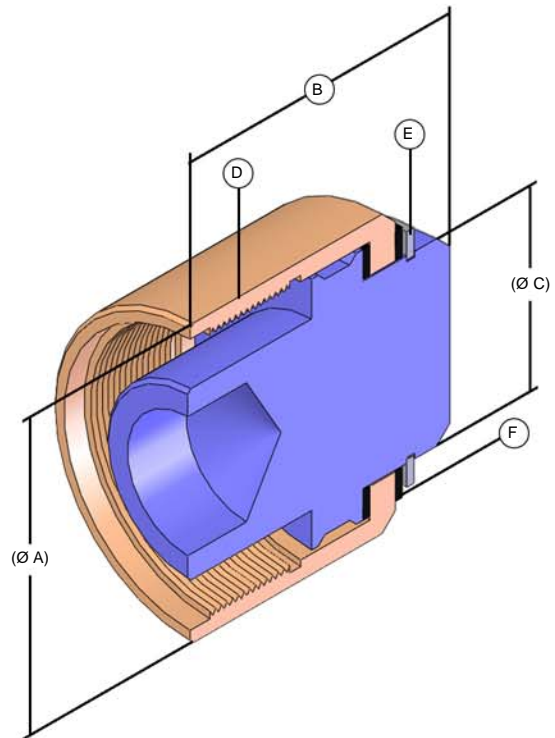
NOTE:

MATERIAL: 316 Stainless Steel.

Other materials available on request.

METAL SHELL SERIES (MSS)
MSS-DSP

MSS Dummy Sealing Plug



PART DESCRIPTION	CONNECTOR SIZE							
	G	K	L	M	O	P	Q	S
A - DIAMETER	1.37	1.87	2.12	2.50	3.00	3.25	3.87	4.62
B - LENGTH	1.56	1.56	1.56	2.37	2.37	2.37	2.37	2.37
C - DIAMETER	0.87	1.12	1.37	1.62	2.12	2.37	2.75	3.50
D - ENGAGING NUT	77-2-120	77-2-220	77-2-320	77-2-420	77-2-520	77-2-620	77-2-720	77-2-920
E - RETAINING RING	5100-87	5100-112	5100-137	5100-162	5100-212	5100-237	5100-275	5100-350
F - WASHER	77-1-148	77-1-248	77-1-348	77-1-448	77-1-548	77-1-648	77-1-748	77-1-948

NOTE:

MATERIAL: 316 Stainless Steel with a CA630 engaging nut, however the material for the MSSG is GRE (Glass Reinforced Epoxy) with a CA630 engaging nut.

Other materials available on request.