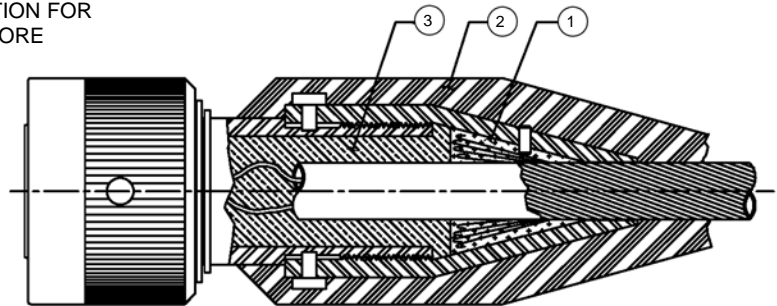
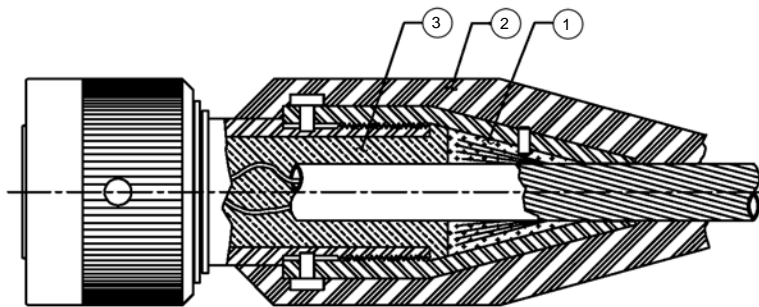


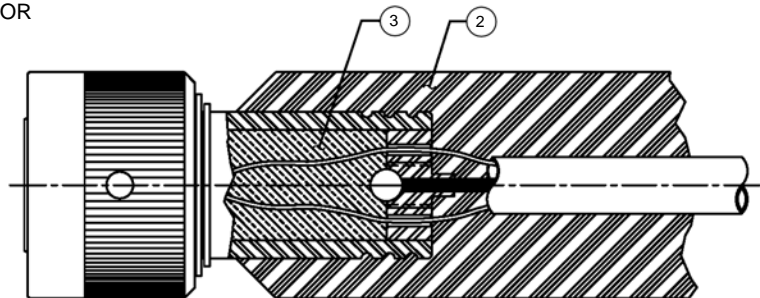
CONCEPTUAL TERMINATION FOR KEVLAR, CENTER CORE



CONCEPTUAL TERMINATION FOR STEEL, DOUBLE ARMOR



CONCEPTUAL TERMINATION FOR KEVLAR, OUTER BRAID



CONCEPTUAL TERMINATION FOR STEEL, CENTER CORE

- 1 - Polyurethane.
- 2 - Overmold.
- 3 - Hard Potting Compound.

**NOTE:**

The above are typical strain termination solutions. We have facilities to bespoke stress terminations to specific customer cable requirements.