

METAL SHELL SERIES (MSS)



Metal Shell Series (MSS)

DESCRIPTION

The **Metal Shell Series (MSS)** was designed to withstand full ocean depth pressure and practically any physical abuse.

Contact configurations are available in various shell sizes ranging from a single electrical contact or coax, through to 122 contacts including optical (single mode or multimode). In addition to this, **SEACON** is also able to offer glass sealed inserts for higher pressures or temperatures.

KEY FEATURES

- Rugged and robust
- Designed to withstand full ocean depth
- Proven sealing technology
- PBOF available
- Pressure rated Blanking Caps available
- Positive and integral keying
- 9 shell sizes available
- Glass sealed inserts available



SEACON (europe) LTD PRODUCT DATASHEET

DESIGN SPECIFICATION

- Pressure Range: 0 to 20,000 psi mated and potted
- Voltage: 600 to 6,000 VDC
- Coax and Optics available
- Temperature range -70°F to 200°F (-50°C to 100°C)

MATERIALS STANDARD

- Shell: Stainless Steel 316 per QQ-S-763
- Coupling Nut: Copper Alloy 630
- Electrical insert: Glass Reinforced Epoxy (MIL-M-24325)
- O Seals: Nitrile 70 Duro
- Contacts: Copper Alloy, Gold plated (MIL-G- 45204)

MATERIALS OPTIONAL

- Monel™
- Titanium
- Inconel™
- PEEK
- Aluminium Bronze NES 833
- Contact SEACON (europe) Ltd for full list of other materials available

CONFIGURATIONS

- 1 to 222 contacts including Coaxial, Optical (single or multi-mode), glass sealed inserts also available for higher pressures and temperatures. For full list of configurations available, please contact SEACON (europe) Ltd. See below for full contact details.

QUALITY

- SEACON (europe) Ltd operate a Quality Management System accredited to ISO 9001.

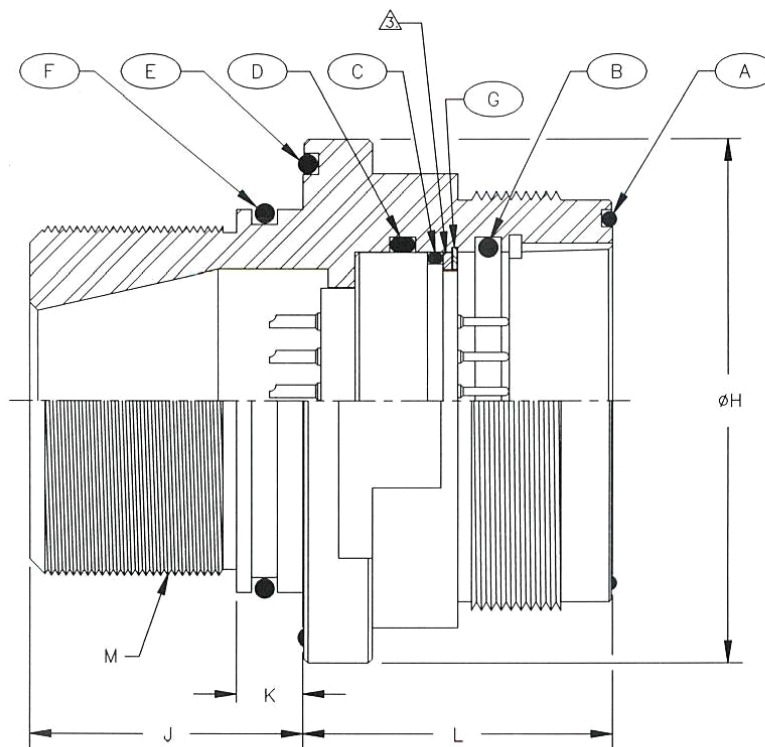


SEACON

SEACON (europe) LTD PRODUCT DATASHEET

NOTES:

- ⚠ O-RING NUMBER IS THE SAME AS PARKER SEAL COMPANY NUMBER. THE COMPOUND FOR THE O-RING IS PARKER COMPOUND N674-70.
- ⚠ SPIROLOX NUMBER IS THE SAME AS RAMSEY CORPORATION NUMBER, UR SERIES. THE MATERIAL FOR THE SPIROLOX IS STAINLESS STEEL.
- ⚠ CIR WASHER IS LOCATED BETWEEN THE SPIROLOX AND O-RING. THE CIR WASHER IS MANUFACTURED AND SOLD BY SEACON.
- 4. MATES WITH THE MSS-CCP AND MSS-DSP CONNECTORS.



⚠ O-RING ⚠ O-RING ⚠ O-RING ⚠ O-RING ⚠ O-RING ⚠ O-RING ⚠ SPIROLOX

MSS-BCR CONNECTOR	A	B	C	D	E	F	G	ØH	J	K	L	M
MSSG	2-020	2-016	—	2-016	2-023	2-017	UR-62S	1.37	1.00	.375	1.50	3/4-16 UNF-2A
MSSK	2-027	2-023	2-018	2-118	2-029	2-021	UR-106S	1.87	1.37	.375	2.00	1-14 UNS-2A
MSSL	5-320	2-027	2-022	2-122	2-131	2-122	UR-131S	2.12	1.37	.375	2.00	1 1/4-12 UN-2A
MSSM	2-132	2-128	2-123	2-126	2-142	2-224	UR-150S	2.75	1.37	.500	2.25	1 3/4-12 UN-2A
MSSO	2-140	2-225	2-131	2-225	2-234	2-228	UR-187S	3.50	1.75	.500	2.25	2 1/4-12 UN-2A
MSSP	2-144	2-227	2-135	2-227	2-236	2-230	UR-212S	3.75	2.00	.500	2.25	2 1/2-12 UN-2A
MSSQ	2-151	2-230	2-141	2-230	2-241	2-233	UR-250S	4.50	2.50	.750	2.25	2 3/4-12 UN-2A
MSSR	2-151	2-230	2-141	2-230	2-245	2-240	UR-250S	5.00	2.50	.735	2.25	2 3/4-12 UN-2A
MSSS	2-153	2-236	2-040	2-234	2-247	2-239	UR-325S	5.25	2.50	.735	2.25	3 1/2-12 UN-2A

SEACON

SEACON (europe) LTD PRODUCT DATASHEET

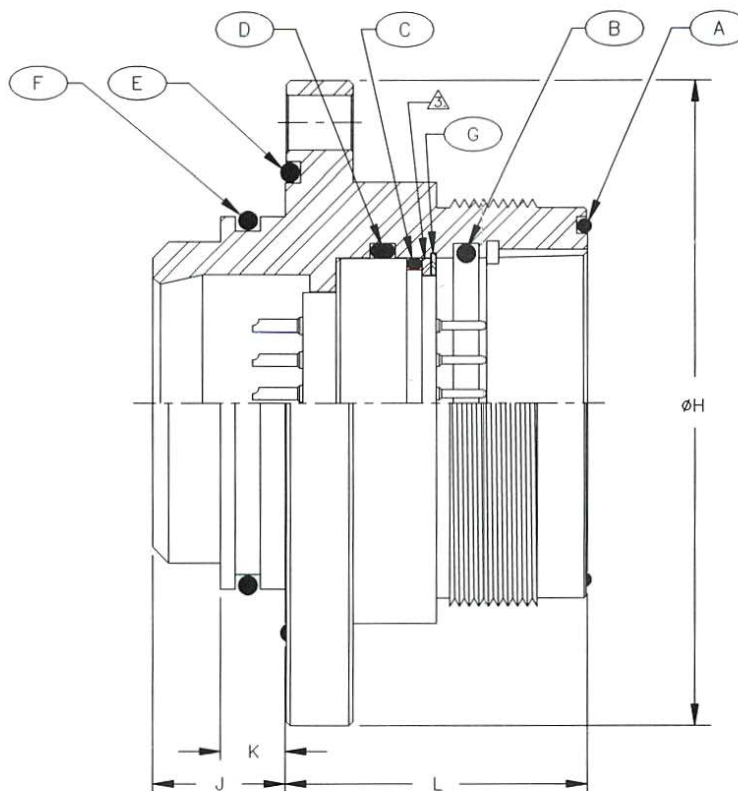
NOTES:

△ O-RING NUMBER IS THE SAME AS PARKER SEAL COMPANY NUMBER. THE COMPOUND FOR THE O-RING IS PARKER COMPOUND N674-70.

△ SPIROLOX NUMBER IS THE SAME AS RAMSEY CORPORATION NUMBER, UR SERIES. THE MATERIAL FOR THE SPIROLOX IS STAINLESS STEEL.

△ CIR WASHER IS LOCATED BETWEEN THE SPIROLOX AND O-RING. THE CIR WASHER IS MANUFACTURED AND SOLD BY SEACON.

4. MATES WITH THE MSS-CCP AND MSS-DSP CONNECTORS.



MSS-FCR CONNECTOR	△ O-RING	△ O-RING	△ O-RING	△ O-RING	△ O-RING	△ O-RING	△ O-RING	△ SPIROLOX	ØH	J	K	L
MSSG	2-020	2-016	—	2-016	2-023	2-017	UR-62S	2.12	.63	.370	1.68	
MSSK	2-027	2-023	2-018	2-118	2-029	2-021	UR-106S	2.62	.75	.370	2.00	
MSSL	5-320	2-027	2-022	2-122	2-131	2-122	UR-131S	3.00	.75	.370	2.00	
MSSM	2-132	2-128	2-123	2-126	2-142	2-224	UR-150S	3.87	.99	.485	2.26	
MSSO	2-140	2-225	2-131	2-225	2-234	2-228	UR-187S	4.50	.99	.485	2.26	
MSSP	2-144	2-227	2-135	2-227	2-236	2-230	UR-212S	4.75	.99	.485	2.26	
MSSQ	2-151	2-230	2-141	2-230	2-241	2-233	UR-250S	5.25	1.49	.750	2.26	
MSSR	2-151	2-230	2-141	2-230	2-245	2-240	UR-250S	5.87	1.49	.750	2.26	
MSSS	2-153	2-236	2-040	2-234	2-247	2-239	UR-325S	—	—	—	—	

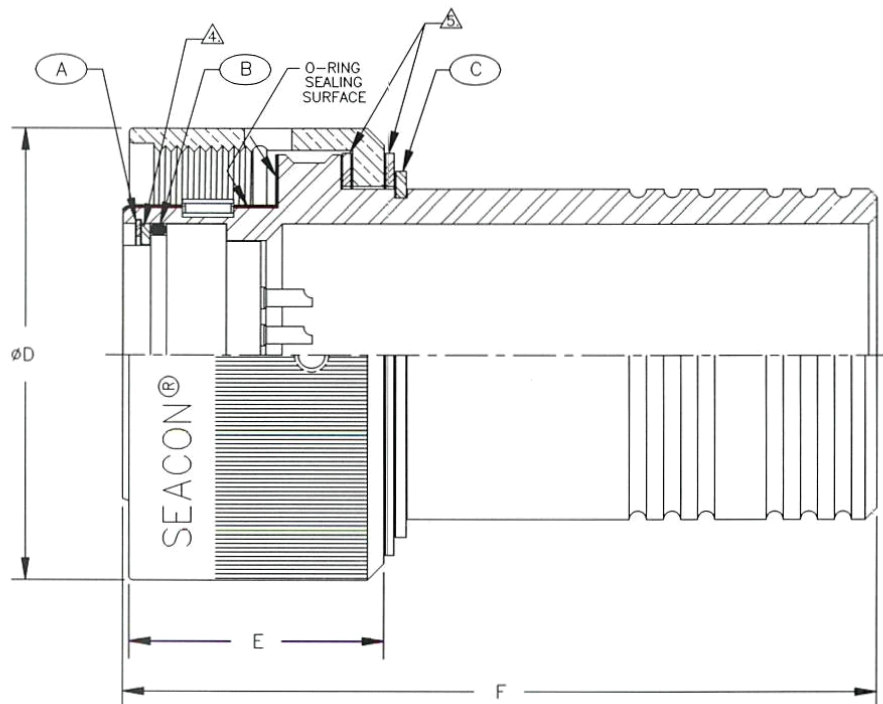
SEACON

SEACON (europe) LTD PRODUCT DATASHEET

NOTES:

- ⚠ O-RING NUMBER IS THE SAME AS PARKER SEAL COMPANY NUMBER. THE COMPOUND FOR THE O-RING IS PARKER COMPOUND N674-70.
- ⚠ SPIROLOX NUMBER IS THE SAME AS RAMSEY CORPORATION NUMBER, UR SERIES. THE MATERIAL FOR THE SPIROLOX IS STAINLESS STEEL.

- ⚠ RETAINING RING IS THE SAME AS WALDES TRUARC INC. NUMBER, 5100 SERIES. THE MATERIAL FOR THE RETAINING RING IS STAINLESS STEEL.
- ⚠ CIP WASHER IS LOCATED BETWEEN THE SPIROLOX AND O-RING. THE CIP WASHER IS MANUFACTURED AND SOLD BY SEACON.
- ⚠ THE MATERIAL FOR THE CCP ENGAGING NUT WASHER IS BLACK DELRIN. THE CCP ENGAGING NUT WASHER IS MANUFACTURED AND SOLD BY SEACON.
- 6. MATES WITH THE MSS-BCR, FCR, CCR AND DSR CONNECTORS.



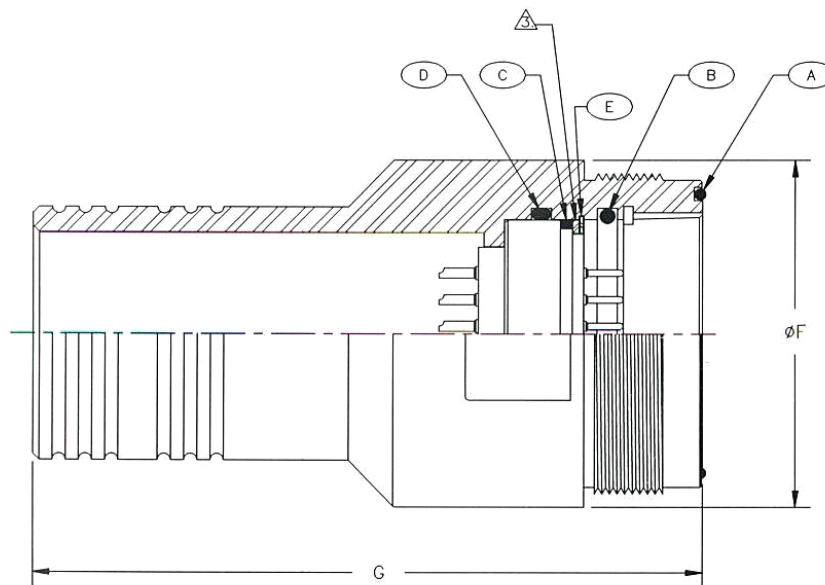
MSS-CCP CONNECTOR	A	B	C	ϕD	E	F	MAXIMUM CABLE DIA.
MSSG	—	—	H5100-87	1.37	1.06	2.01	.750
MSSK	UR-87S	2-017	H5100-112	1.87	1.20	3.00	.937
MSSL	UR-112S	2-021	H5100-137	2.12	1.22	3.00	1.000
MSSM	UR-112S	2-024	H5100-162	2.50	1.86	4.50	1.812
MSSO	UR-162S	2-127	H5100-212	3.00	1.86	4.50	1.750
MSSP	UR-187S	2-131	H5100-237	3.25	1.86	5.50	1.875
MSSQ	UR-225S	2-137	H5100-275	3.87	1.86	5.50	1.937
MSSR	77-1-884	2-137	H5100-275	3.87	1.86	5.50	1.937
MSSS	UR-293S	2-148	H5100-350	4.62	1.86	5.50	3.500

SEACON

SEACON (europe) LTD PRODUCT DATASHEET

NOTES:

- ⚠ O-RING NUMBER IS THE SAME AS PARKER SEAL COMPANY NUMBER. THE COMPOUND FOR THE O-RING IS PARKER COMPOUND N674-70.
- ⚠ SPIROLOX NUMBER IS THE SAME AS RAMSEY CORPORATION NUMBER, UR SERIES. THE MATERIAL FOR THE SPIROLOX IS STAINLESS STEEL.
- ⚠ CIR WASHER IS LOCATED BETWEEN THE SPIROLOX AND O-RING. THE CIR WASHER IS MANUFACTURED AND SOLD BY SEACON.
- 4. MATES WITH THE MSS-CCP AND MSS-DSP CONNECTORS.



	⚠ O-RING	⚠ O-RING	⚠ O-RING	⚠ O-RING	⚠ SPIROLOX			
MSS-CCR CONNECTOR	A	B	C	D	E	ØF	G	MAXIMUM CABLE DIA.
MSSG	2-020	2-016	—	2-016	UR-62S	1.37	2.50	.500
MSSK	2-027	2-023	2-018	2-118	UR-106S	1.87	3.37	.812
MSSL	5-320	2-027	2-022	2-122	UR-131S	2.12	3.37	1.000
MSSM	2-132	2-128	2-123	2-126	UR-150S	2.75	3.62	1.250
MSSO	2-140	2-225	2-131	2-225	UR-187S	3.50	4.00	1.750
MSSP	2-144	2-227	2-135	2-227	UR-212S	3.75	4.25	1.875
MSSQ	2-151	2-230	2-141	2-230	UR-250S	4.50	4.75	1.750
MSSR	2-151	2-230	2-141	2-230	UR-250S	—	—	—
MSSS	2-153	2-236	2-040	2-234	UR-325S	—	—	—

All reasonable efforts have been taken to ensure that the information contained herein is accurate at the date of publication, but no representation or warranty as to the accuracy or completeness of such information is intended or to be implied by its inclusion herein. Any and all representations and warranties pertaining to the information and products referred to herein shall be set forth in SEACON standard sales order form. In addition, SEACON reserves the right to make changes to the contents hereof without notice, therefore it is suggested that at the time of inquiry, the appropriate sales office or factory be contacted directly for verification of published specifications and products availability.

© 2014 SEACON (europe) Ltd
ALL RIGHTS RESERVED