

S E A C O N



Micro WET-CON SERIES

UNDERWATER ELECTRICAL WET-MATE CONNECTORS

SECTION	PAGE
Micro WET-CON	
Product News - Connector Enhancements.....	MWC 3
Introduction	MWC 4
Availability	MWC 4
Applications	MWC 4
Special Assemblies	MWC 4
Part Number System	MWC 4
General Information	MWC 5
Ampacity Chart for Standard Parts	MWC 5
Standard Wiring Color Code	MWC 5
Dimension Details:	
MC-BH-M (2 to 8 Contacts)	MWC 6
MC-BH-F (2 to 8 Contacts)	MWC 6
MC-BH-M (10 to 16 Contacts)	MWC 7
MC-BH-F (10 to 16 Contacts)	MWC 7
MC-BH-M-DO (2 to 8 Contacts)	MWC 8
MC-BH-F-DO (2 to 8 Contacts)	MWC 8
MC-BH-M-DO (10 to 16 Contacts)	MWC 9
MC-BH-F-DO (10 to 16 Contacts)	MWC 9
MC-IL-M (2 to 8 Contacts)	MWC 10
MC-IL-F (2 to 8 Contacts)	MWC 10
MC-IL-M (10 to 16 Contacts)	MWC 11
MC-IL-F (10 to 16 Contacts)	MWC 11
MC-DC-M (2 to 8 Contacts)	MWC 12
MC-DC-F (2 to 8 Contacts)	MWC 12
MC-DC-M (10 to 16 Contacts)	MWC 13
MC-DC-F (10 to 16 Contacts)	MWC 13
MC-DLS-M (2 to 8 Contacts)	MWC 14
MC-DLS-F (2 to 8 Contacts)	MWC 14
DLSA-M (10 to 16 Contacts)	MWC 14
DLSA-F (10 to 16 Contacts)	MWC 14
Interface Details	MWC 15
Contact Configurations	MWC 16
Micro WET-CON SPLIT SERIES SECTION	MWC 17-23

PRODUCT NEWS

Micro WET-CON and Micro WET-CON SPLIT SERIES CONNECTOR ENHANCEMENTS

INTRODUCTION

As part of our continuous improvement process the SEACON Group consistently reviews its product ranges through both customer feedback and internal improvements. It is via these processes that SEACON identified a design enhancement to the Micro WET-CON connector ranges. This new design improvement has now been implemented not only across this connector range, but also the new Micro WET-CON Split Series.

DESIGN FEATURES

The design change is associated with the Male Pin connectors only and has been introduced to improve and extend the life of the connectors by decreasing the stresses that are applied to the sealing interface between the male contact pin and the sealing rubber around the pin during the connectors mate and de-mate cycles.

The newly designed male contact has a "Lead in" as part of the contact pin itself which replaces the current rubber lead in. The introduction of the new pin removes any potential wear to the sealing interface between the male contact pin and the sealing rubber around the pin which may occur with many repeated make and breaks of the connector pairs. The new pin will maintain the full connector sealing properties and will provide a greater life expectancy of the connectors.

The incorporation of this design change to the Male Pin connectors will not affect the existing Female Socket connectors currently being used by SEACON's customers and therefore full intermateability will be maintained. In addition, SEACON would also like to confirm that pricing will also not be affected.

TESTING

This new pin design concept has been fully tested and has been utilized in both the U-MATE and SEA-MATE connector ranges for a number of years.

MCAT ATTACHABLE Micro WETCON

Due to global demand to terminate standard rubber molded connectors onto specialized or customer furnished cable, SEACON Global Production has introduced an MCAT version of the successful Micro WET-CON connector series.

This new connector can be terminated virtually anywhere eliminating the need for shipping bulky long lengths of cable. In addition the end user is able to produce a reduced length termination without the need for additional cable splices and have one continuous cable diameter for the total length of the cable.

The MCAT connector is fully inter-mateable with like configured Micro WET-CON inline and bulkhead connectors. For further information and for cable jacket materials that can be accommodated please contact SEACON.



INTRODUCTION

The Micro WET-CON connector series was developed to provide all the features of SEACON's ALL-WET connector series, but in a miniature, industry standard configuration. The small size offers the same flexibility and reliability as our rubber molded connectors, in a light-weight and user friendly model.

The Micro WET-CON series allows for smaller through ports in a pressure vessel and a greater density of conductors in a compact area. The smaller cables decrease the overall weight and drag of an ROV or other vessel. This connector range is wet-mateable and therefore enables connections to be made underwater, on-deck or in any weather condition.

AVAILABILITY

The Micro WET-CON series is a stocked item, which ensures quick delivery (in reasonable quantities) of standard configurations. Custom cable lengths are available upon request. Shorting plugs are available should you require the ability of looping together 'like' circuits for testing purposes within the dummy. Pin to pin shorting details need to be supplied at time of order placement.

MATERIALS

The Micro WET-CON is made from a proprietary grade Neoprene. The standard locking sleeves are Polyacetal, which is lightweight, durable and user-friendly in the working environment (Brass and Stainless Steel are also available upon request).

APPLICATIONS

Possible applications include: underwater television and lights, diver communications, ROV systems, submersibles, towed-array cable systems, current meters, animal migration research and food processing equipment.

TESTING

The Micro WET-CON range has undergone complete Qualification testing including low pressure soak tests, full mate/de-mate and high pressure cycling to 10,000 psi.

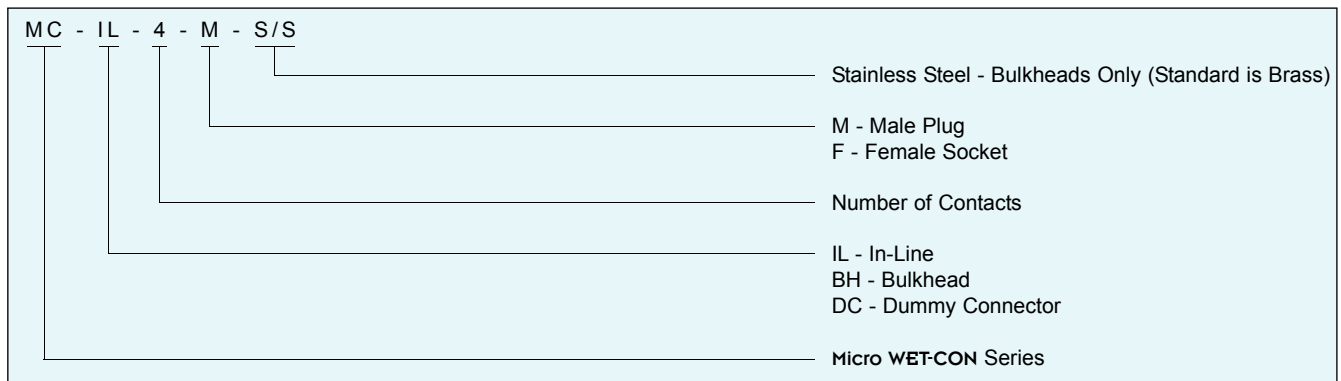
SPECIAL ASSEMBLIES

SEACON maintains all facilities necessary to furnish complete underwater and environmental electrical connector/cable systems, including Research and Development, Engineering, Manufacturing, Quality Control and Pressure Testing.

As well as supplying our standard 'off-the-shelf' items, we have the capability to design and manufacture **SPECIAL CUSTOMIZED CONNECTORS AND CABLE ASSEMBLIES** to suit your individual needs.

SEACON also prides itself with the ability to perform stringent quality conformance testing procedures which are in accordance with the MIL-SPEC programs.

PART NUMBER SYSTEM - EXAMPLE



NOTES:

· For Locking Sleeves see page MWC 14.

GENERAL INFORMATION

COMPONENT	MATERIAL
MOLDED BODY	Neoprene
BULKHEAD BODY	Brass (CA #360)
CONTACTS	Brass-gold plated (CA #360)
GUIDE PINS	Stainless Steel (303 SS or 304 SS)
BULKHEAD N & W	Brass (CA #360)
O-RING	Nitrile (formerly known as Buna N)
LOCKING SLEEVE	Polyacetal
IN-LINE CABLE (2, 3 & 4 PIN): (5, 6, 8, 10, 12 & 16 PIN): STANDARD LENGTH:	Neoprene #18 AWG (SO Cable) #20 AWG 24 inches (60cm)
HOO-K-UP WIRE (BH) (2, 3 & 4 PIN): (5, 6 & 8 PIN): (10, 12 & 16 PIN): STANDARD LENGTH:	TFE insulated wire #20 AWG #22 AWG #20 AWG 12 inches (30cm)

CATEGORY	VALUE
OPEN FACE PRESSURE	10,000 psi (700 bar) optional and needs to be specified Dummy cap recommended above 100 psi
MATED PRESSURE	10,000 psi (700 bar)
VOLTAGE RATING	2, 3 & 4 pin 600 VDC 5, 6, 8, 10, 12 & 16 pin 300 VDC
CURRENT RATING	Up to 19 amps per contact
INSULATION RESISTANCE	>200 megohms @ 300 VDC
CONTACT RESISTANCE	<0.01 ohms
AIR MATE	>1,000 cycles
UNDERWATER MATE	>500
OPERATING TEMPERATURE	25° to 140°F (-4° to 60°C)
MOUNTING TORQUE	85 in-lb* In dry stainless 1/2" long Female threads

NOTES:

- Contact SEACON for special order materials.
- Incorporation of special order cables will be determined on a case by case basis.
- Connectors are designed for installation on one atmosphere vessels. Contact SEACON for recommendations if using compensated vessels.
- * For metal shells only, for other materials contact SEACON for recommendations.

AMPACITY CHART FOR STANDARD PARTS (18 & 20 AWG SO CABLE)

PART DESCRIPTION NUMBER OF CONTACTS	AMPACITY
MCBH/IL-2	10 amps
MCBH/IL-3	6 amps
MCBH/IL-4	6 amps
MCBH/IL-5	3 amps
MCBH/IL-6	3 amps

PART DESCRIPTION NUMBER OF CONTACTS	AMPACITY
MCBH/IL-8	3 amps
MCBH/IL-10	2.5 amps
MCBH/IL-12	2.5 amps
MCBH/IL-16	2 amps

STANDARD IN-LINE WIRING COLOR CODE (SO CABLE)

CONTACT #	COLOR
1	BLACK
2	WHITE
3	RED **
4	GREEN
5	ORANGE
6	BLUE
7	WHITE/BLACK
8	RED/BLACK

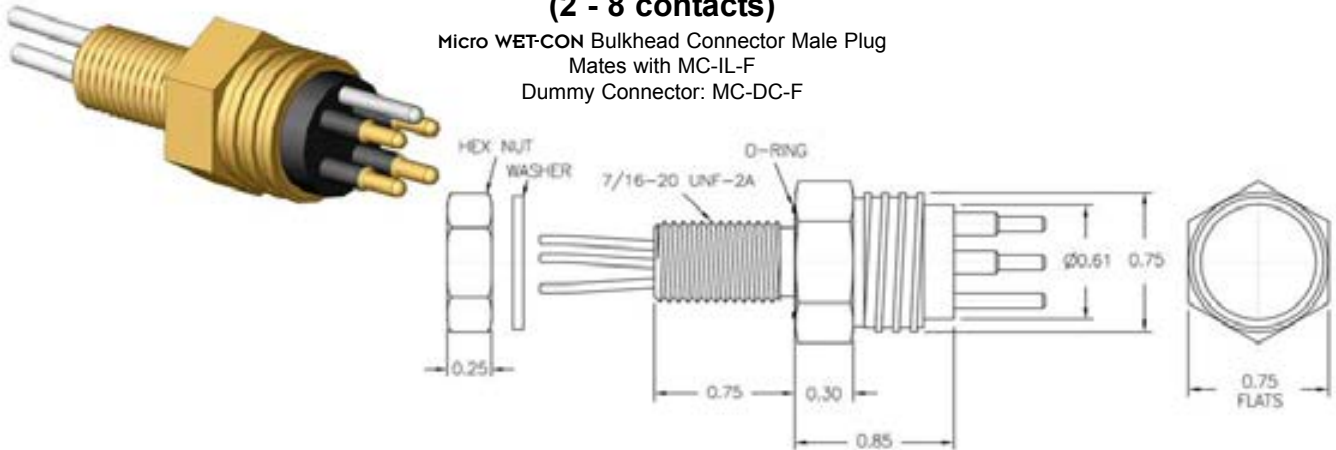
CONTACT #	COLOR
9	GREEN/BLACK
10	ORANGE/BLACK
11	BLUE/BLACK
12	BLACK/WHITE
13	RED/WHITE
14	GREEN/WHITE
15	BLUE/WHITE
16	BLACK/RED

NOTE:

- ** For 3 contact configurations wiring color code is GREEN.

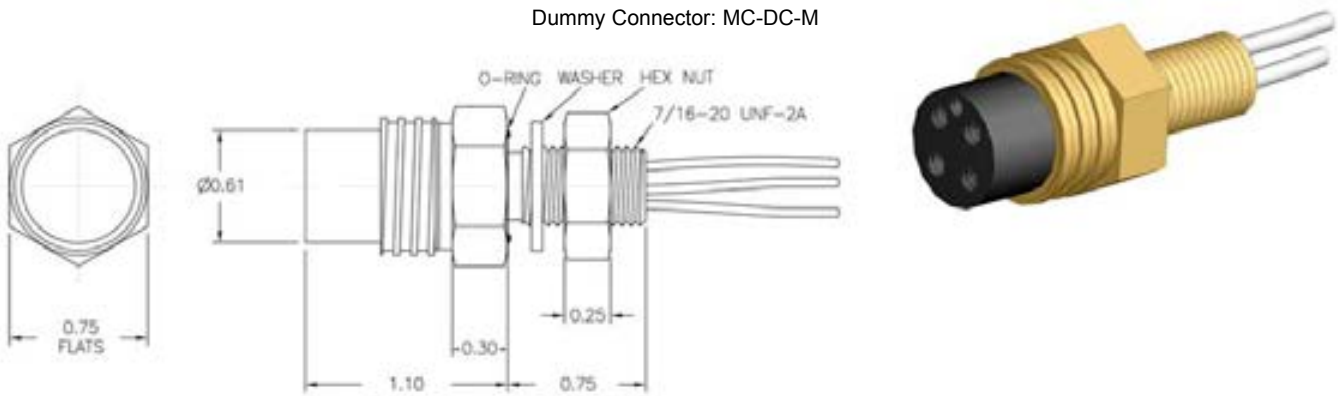
**Micro WET-CON SERIES
MC-BH-M
(2 - 8 contacts)**

Micro WET-CON Bulkhead Connector Male Plug
Mates with MC-IL-F
Dummy Connector: MC-DC-F



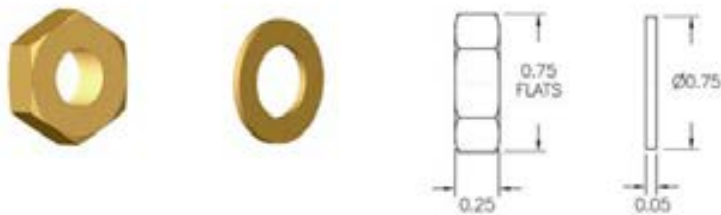
**Micro WET-CON SERIES
MC-BH-F
(2 - 8 contacts)**

Micro WET-CON Bulkhead Connector Female Socket
Mates with MC-IL-M
Dummy Connector: MC-DC-M



**Micro WET-CON SERIES
HEX NUT AND WASHER
(2 - 8 contacts)**

Micro WET-CON Bulkhead Connector



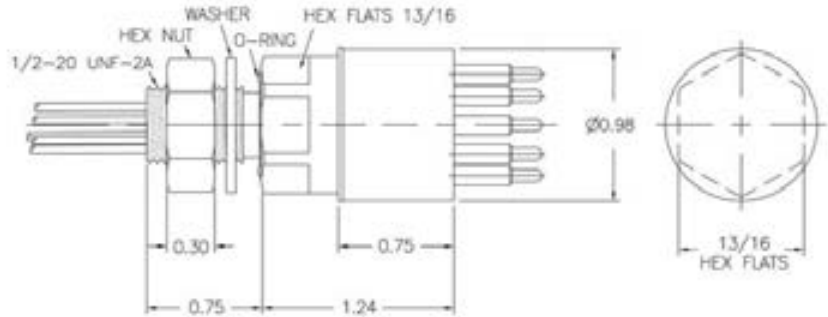
STD - BRASS
(Stainless Steel and others upon request)

NOTES:

- Hex Nut and Washer: Optional.
- O-Ring: 2-014.
- Dummy Connector: Optional.
- Dummy Shorting Plug Connector: Optional.
- Connectors must be lubricated prior to mating.
- Torque values referenced in this literature assume installation into dry metal threads. For other applications, please contact SEACON for recommendations.
- Connectors are designed for installation on one atmosphere vessels. Contact SEACON for recommendations if using compensated vessels.

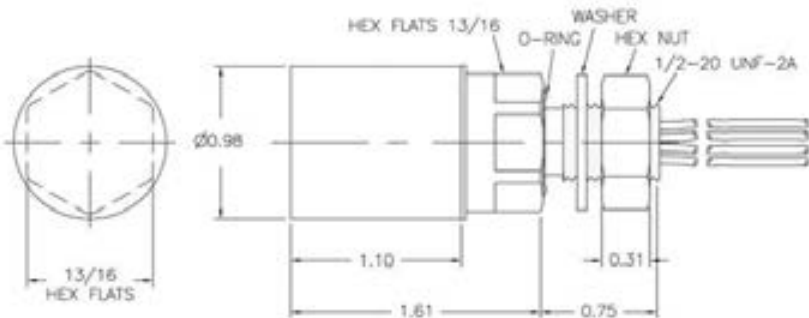
**Micro WET-CON SERIES
MC-BH-M
(10 - 16 contacts)**

Micro WET-CON Bulkhead Connector Male Plug
Mates with MC-IL-F
Dummy Connector: MC-DC-F



**Micro WET-CON SERIES
MC-BH-F
(10 - 16 contacts)**

Micro WET-CON Bulkhead Connector Female Socket
Mates with MC-IL-M
Dummy Connector: MC-DC-M



**Micro WET-CON SERIES
HEX NUT AND WASHER
(10 - 16 contacts)**

Micro WET-CON Bulkhead Connector



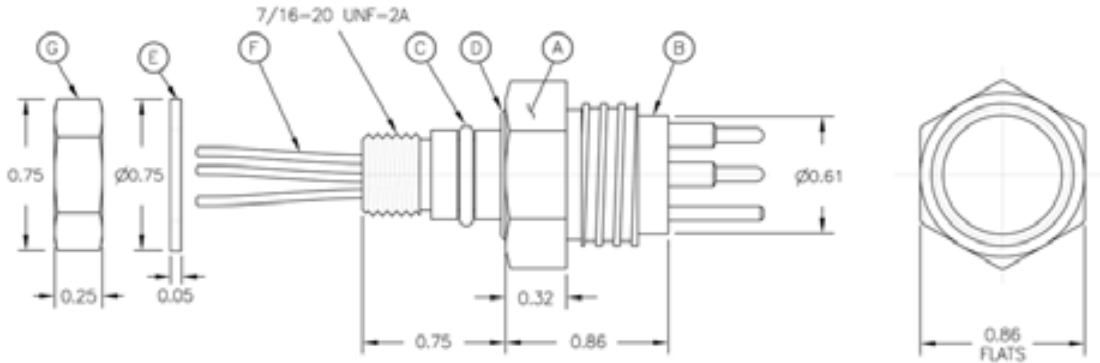
STD - BRASS
(Stainless Steel and others upon request)

NOTES:

- Hex Nut and Washer: Optional.
- O-Ring: 2-015.
- Dummy Connector: Optional.
- Dummy Shorting Plug Connector: Optional.
- Connectors must be lubricated prior to mating.
- Torque values referenced in this literature assume installation into dry metal threads. For other applications, please contact SEACON for recommendations.
- Connectors are designed for installation on one atmosphere vessels. Contact SEACON for recommendations if using compensated vessels.

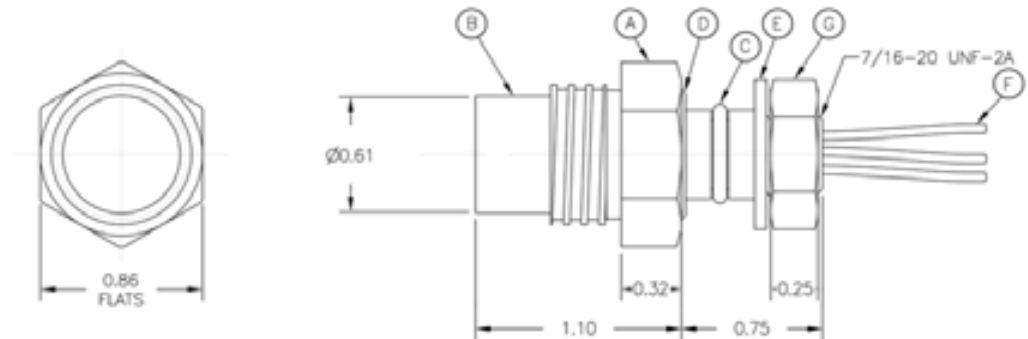
**Micro WET-CON SERIES
MC-BH-M-DO (DOUBLE O-RING)
(2 - 8 contacts)**

Micro WET-CON Bulkhead Connector Male Plug with Double O-Ring
Mates with MC-IL-F
Dummy Connector: MC-DC-F



**Micro WET-CON SERIES
MC-BH-F-DO (DOUBLE O-RING)
(2 - 8 contacts)**

Micro WET-CON Bulkhead Connector Female Socket with Double O-Ring
Mates with MC-IL-M
Dummy Connector: MC-DC-M



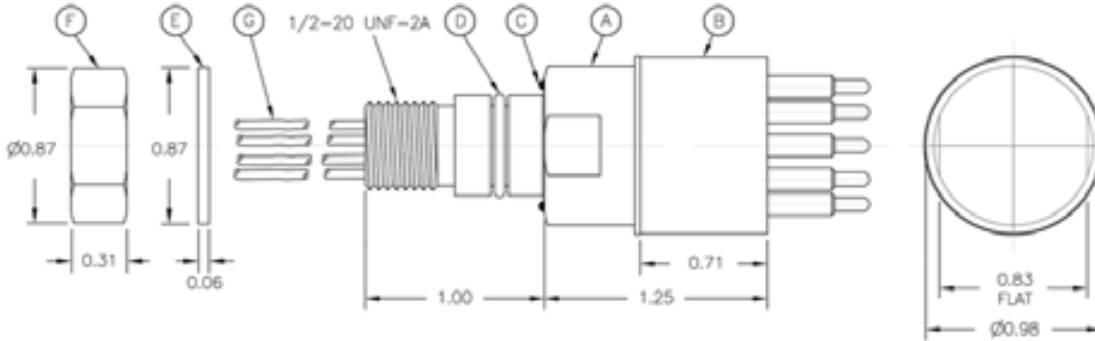
PART NUMBER	PART DESCRIPTION
A	MC-BH DOUBLE O-RING SHELL
B	NEOPRENE MOLDING
C	O-RING 2-012
D	O-RING 06-10525-1
E	WASHER
F	BULKHEAD LEADS
G	HEX NUT 7/16 - 20

NOTES:

- Hex Nut and Washer: Optional.
- Dummy Connector: Optional.
- Dummy Shorting Plug Connector: Optional. (Shorting plugs are available should you require the ability of looping together 'like' circuits for testing purposes within the dummy. Pin to pin shorting details need to be supplied at time of order placement).
- Connectors must be lubricated prior to mating.
- Torque values referenced in this literature assume installation into dry metal threads. For other applications, please contact SEACON for recommendations.
- Connectors are designed for installation on one atmosphere vessels. Contact SEACON for recommendations if using compensated vessels.

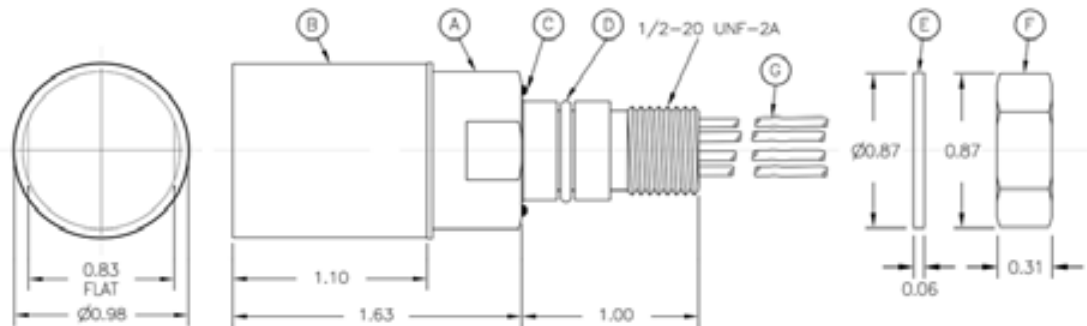
**Micro WET-CON SERIES
MC-BH-M-DO (DOUBLE O-RING)
(10 - 16 contacts)**

Micro WET-CON Bulkhead Connector Male Plug with Double O-Ring
Mates with MC-IL-F
Dummy Connector: MC-DC-F



**Micro WET-CON SERIES
MC-BH-F-DO (DOUBLE O-RING)
(10 - 16 contacts)**

Micro WET-CON Bulkhead Connector Female Socket with Double O-Ring
Mates with MC-IL-M
Dummy Connector: MC-DC-M



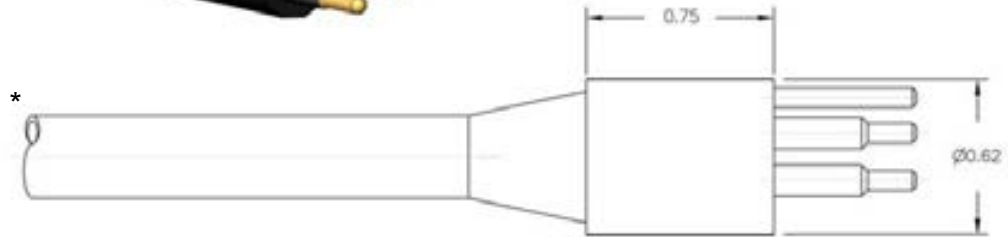
PART NUMBER	PART DESCRIPTION
A	MC-BH DOUBLE O-RING SHELL
B	NEOPRENE MOLDING
C	O-RING 06-10583-1
D	O-RING 06-10437-1
E	WASHER
F	HEX NUT 1/2-20
G	BULKHEAD LEADS

NOTES:

- Bulkhead Locking Sleeve: Optional.
- Hex Nut and Washer: Optional.
- Dummy Connector: Optional.
- Dummy Shorting Plug Connector: Optional. (Shorting plugs are available should you require the ability of looping together 'like' circuits for testing purposes within the dummy. Pin to pin shorting details need to be supplied at time of order placement).
- Connectors must be lubricated prior to mating.
- Torque values referenced in this literature assume installation into dry metal threads. For other applications, please contact SEACON for recommendations.
- Connectors are designed for installation on one atmosphere vessels. Contact SEACON for recommendations if using compensated vessels.

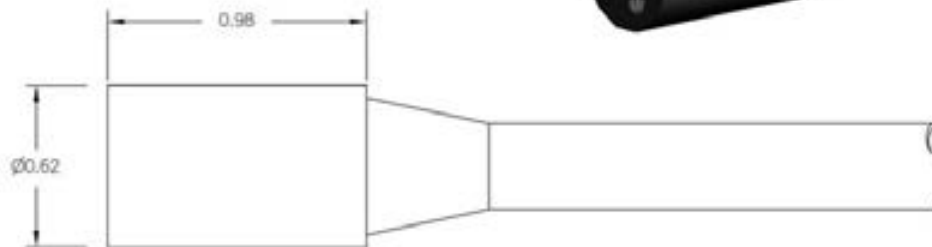
**Micro WET-CON SERIES
MC-IL-M
(2 - 8 contacts)**

Micro WET-CON In-Line Connector Male Plug
Mates with MC-IL-F & MC-BH-F
Dummy Connector: MC-DC-F



**Micro WET-CON SERIES
MC-IL-F
(2 - 8 contacts)**

Micro WET-CON In-Line Connector Female Socket
Mates with MC-IL-M & MC-BH-M
Dummy Connector: MC-DC-M

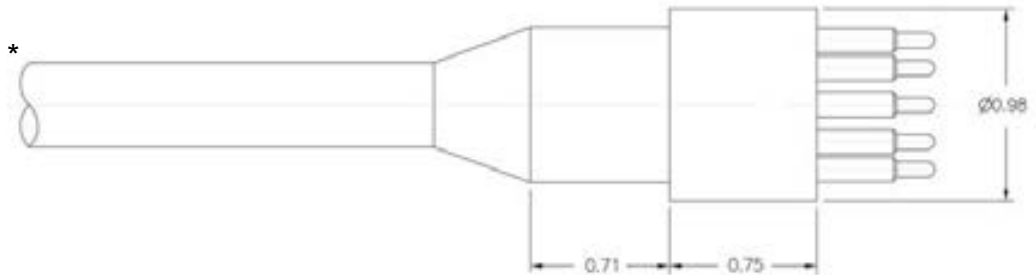


NOTES:

- Locking Sleeve: Optional (see page MWC 14).
- Dummy Connector: Optional.
- Dummy Shorting Plug Connector: Optional. (Shorting plugs are available should you require the ability of looping together 'like' circuits for testing purposes within the dummy. Pin to pin shorting details need to be supplied at time of order placement).
- Connectors must be lubricated prior to mating.
- * Incorporation of special order cables will be determined on a case-by-case basis.

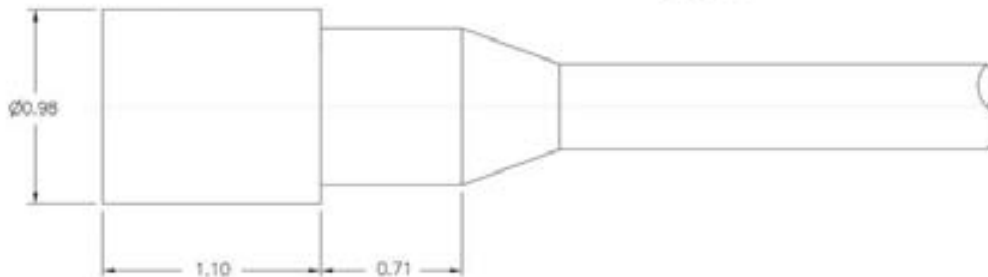
**Micro WET-CON SERIES
MC-IL-M
(10 - 16 contacts)**

Micro WET-CON In-Line Connector Male Plug
Mates with MC-IL-F & MC-BH-F
Dummy Connector: MC-DC-F



**Micro WET-CON SERIES
MC-IL-F
(10 - 16 contacts)**

Micro WET-CON In-Line Connector Female Socket
Mates with MC-IL-M & MC-BH-M
Dummy Connector: MC-DC-M



NOTES:

- Locking Sleeve: Optional (see page MWC 14).
- Dummy Connector: Optional.
- Dummy Shorting Plug Connector: Optional. (Shorting plugs are available should you require the ability of looping together 'like' circuits for testing purposes within the dummy. Pin to pin shorting details need to be supplied at time of order placement).
- Connectors must be lubricated prior to mating.
- * Incorporation of special order cables will be determined on a case-by-case basis.

**Micro WET-CON SERIES
MC-DC-M
(2 - 8 contacts)**

Micro WET-CON Dummy Connector Male Plug
Mates with MC-IL-F & MC-BH-F



**Micro WET-CON SERIES
MC-DC-F
(2 - 8 contacts)**

Micro WET-CON Dummy Connector Female Socket
Mates with MC-IL-M & MC-BH-M

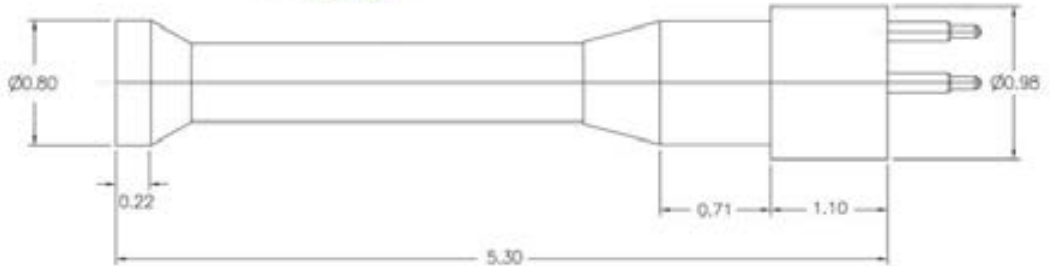
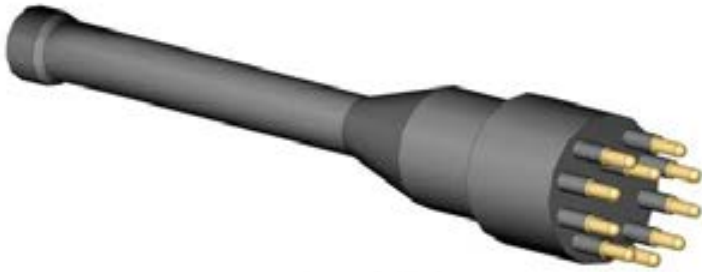


NOTES:

- Locking Sleeve: Optional (see page MWC 14).
- Dummy Shorting Plug Connector: Optional. (Shorting plugs are available should you require the ability of looping together 'like' circuits for testing purposes within the dummy. Pin to pin shorting details need to be supplied at time of order placement).
- Connectors must be lubricated prior to mating.

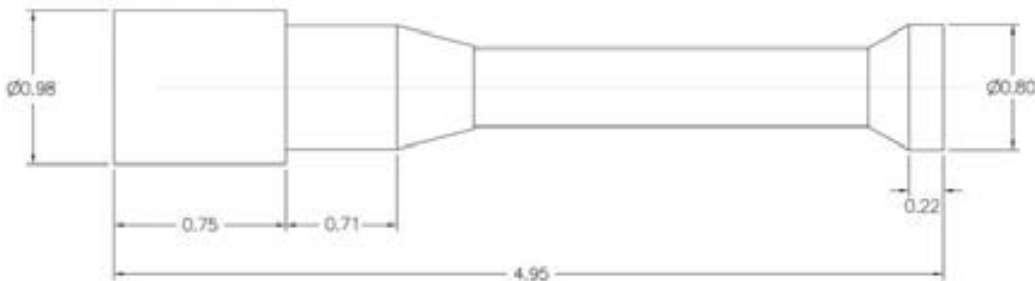
**Micro WET-CON SERIES
MC-DC-M
(10 - 16 contacts)**

Micro WET-CON Dummy Connector Male Plug
Mates with MC-IL-F & MC-BH-F



**Micro WET-CON SERIES
MC-DC-F
(10 - 16 contacts)**

Micro WET-CON Dummy Connector Female Socket
Mates with MC-IL-M & MC-BH-M

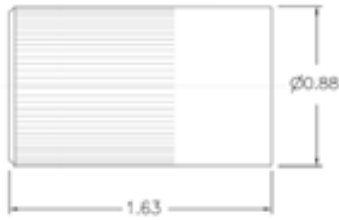


NOTES:

- Locking Sleeve: Optional (see page MWC 14).
- Dummy Shorting Plug Connector: Optional. (Shorting plugs are available should you require the ability of looping together 'like' circuits for testing purposes within the dummy. Pin to pin shorting details need to be supplied at time of order placement).
- Connectors must be lubricated prior to mating.

**Micro WET-CON SERIES
MC-DLS-F
(2 - 8 contacts)**

Micro WET-CON Locking Sleeve Female



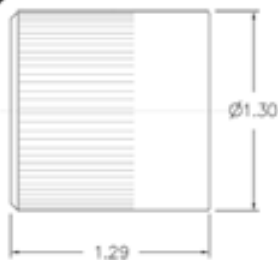
**Micro WET-CON SERIES
MC-DLS-M
(2 - 8 contacts)**

Micro WET-CON Locking Sleeve Male



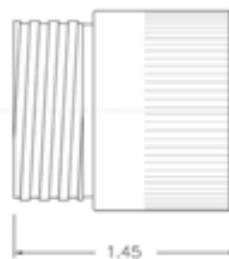
**Micro WET-CON SERIES
DLSA-F
(10 - 16 contacts)**

Micro WET-CON Locking Sleeve Female



**Micro WET-CON SERIES
DLSA-M
(10 - 16 contacts)**

Micro WET-CON Locking Sleeve Male

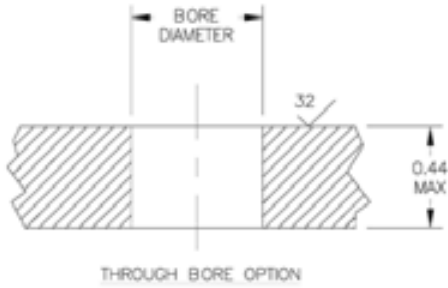


NOTES:

- * Not required for 2 to 8 way Bulkhead connectors. For In-Lines only.
- Locking Sleeves: Polyacetal.

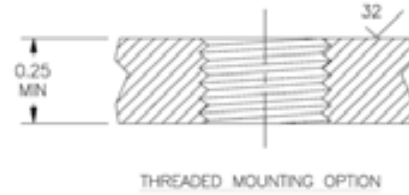
**Micro WET-CON SERIES
MC-BH-M/F
THROUGH BORE OPTION**

Micro WET-CON Bulkhead Connector Male/Female



**Micro WET-CON SERIES
MC-BH-M/F
THREADED MOUNTING OPTION**

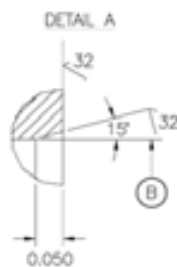
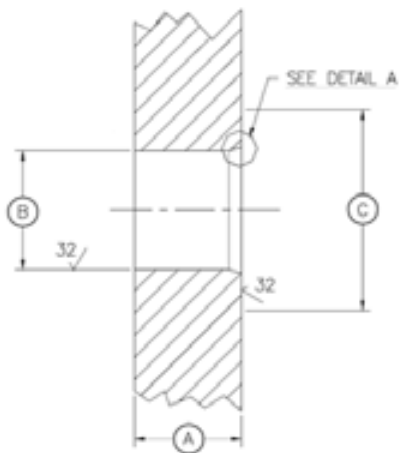
Micro WET-CON Bulkhead Connector Male/Female



CONNECTOR	BORE Ø (INCHES)	THREAD	SPOT FACE Ø (INCHES)
MC-BH (2-8)	0.437 ^{+0.015} _{-0.000}	7/16-20 UNF-2B	0.88
MC-BH (10-16)	0.500 ^{+0.015} _{-0.000}	1/2-20 UNF-2B	0.94

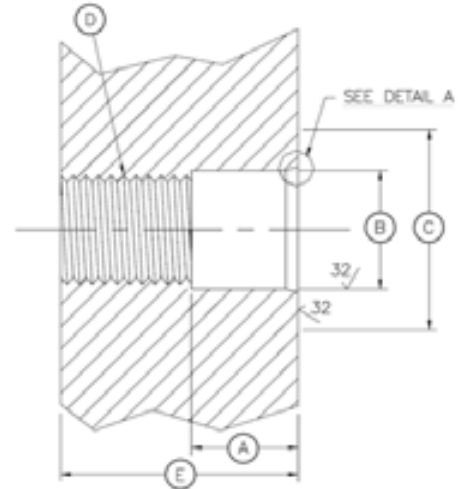
**Micro WET-CON SERIES
MC-BH-M/F-DO (DOUBLE O-RING)
THROUGH BORE OPTION**

Micro WET-CON Bulkhead Connector Male/Female with Double O-Ring



**Micro WET-CON SERIES
MC-BH-M/F-DO (DOUBLE O-RING)
THREADED MOUNTING OPTION**

Micro WET-CON Bulkhead Connector Male/Female with Double O-Ring



CONNECTOR	A - LENGTH (INCHES)	B - Ø (INCHES)	C - Ø (INCHES)	D - THREAD	E - Ø (INCHES)
MC-BH-DO (2-8)	0.425	0.475 0.473	0.88	7/16-20 UNF-2B	0.750 MIN
MC-BH-DO (10-16)	0.500	0.553 0.552	0.94	1/2-20 UNF-2B	1.000 MIN

SIZE	Micro WET-CON SERIES BULKHEAD/IN-LINE CONTACT CONFIGURATIONS (MALE FACE VIEW ONLY - NOT TO SCALE)*
2-8	<p>MC-BH / MC-IL-2 MC-BH / MC-IL-3 MC-BH / MC-IL-4 MC-BH / MC-IL-5 MC-BH / MC-IL-6 MC-BH / MC-IL-8 **</p>
10-16	<p>MC-BH / MC-IL-10 MC-BH / MC-IL-12 MC-BH / MC-IL-16</p>
<p>KEY</p> <p> GUIDE PIN</p>	

NOTES:

- * For female face view contact configurations available please contact SEACON.
- ** Ethernet version available.

S E A C O N



Micro WET-CON SPLIT SERIES

UNDERWATER ELECTRICAL WET-MATE CONNECTORS

SECTION	PAGE
WET-CON SPLIT SERIES	
Introduction	MWC 19
Availability	MWC 19
Applications	MWC 19
Testing	MWC 19
Special Assemblies	MWC 19
Part Number System	MWC 19
General Information	MWC 19
In-Line Cable	MWC 19
Dimension Details:	
MC-BH-F (6 Contacts)	MWC 20
MC-IL-M (6 Contacts)	MWC 20
MC-DLS-F (6 Contacts)	MWC 20
MC-BH-F (12 to 16 Contacts)	MWC 21
MC-IL-M (12 to 16 Contacts)	MWC 21
MC-DLSA-F/M (12 to 16 Contacts)	MWC 21
Interface Details	MWC 22
Contact Configurations	MWC 23

INTRODUCTION

SEACON has added a range of split connectors to its popular Micro WET-CON wet-mate series. This series of connectors was originally developed to provide all the features of the ALL-WET connector range, but in a miniature industry standard configuration. The split connector range prevents costly 'Y' assemblies and allows ease of replacement of break-outs by the customer. This smaller connector series offers the same flexibility and reliability as SEACON's standard rubber molded connectors, in a lightweight and user-friendly model.

AVAILABILITY

The Micro WET-CON Split series is currently available in six different configurations ranging from 6 to 16 contacts rated upto 600 VDC (dependent on cable) with a mated pressure rating of 10,000 psi.

APPLICATIONS

Applications include underwater television and lights, diver communications, ROV systems, submersibles, towed-array cable systems, current meters, animal migration research and food processing equipment.

TESTING

The Micro WET-CON Split range has undergone complete Qualification testing including low pressure soak tests, full mate/demate and high pressure cycling to 10,000 psi.

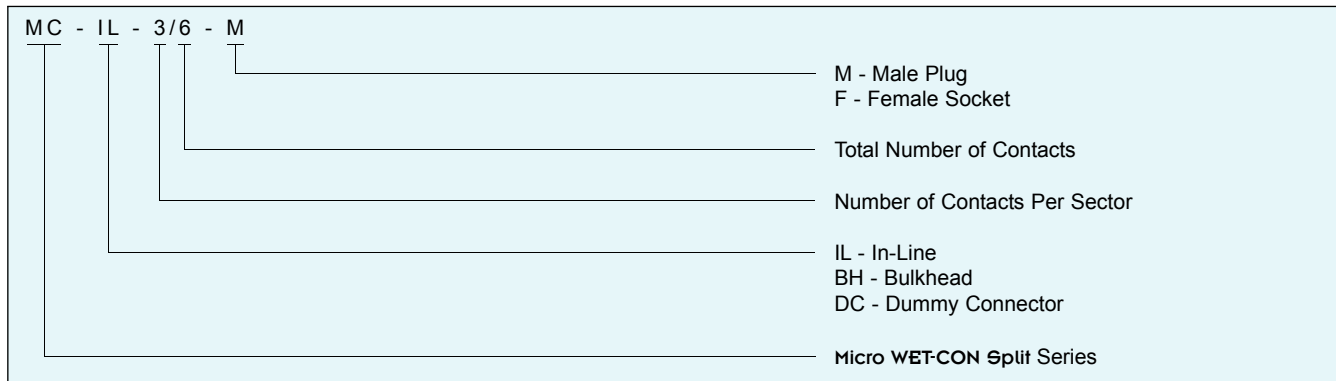
SPECIAL ASSEMBLIES

SEACON maintains all facilities necessary to furnish complete underwater and environmental electrical connector/cable systems, including Research and Development, Engineering, Manufacturing, Quality Control and Pressure Testing.

As well as supplying our standard 'off-the-shelf' items, we have the capability to design and manufacture **SPECIAL CUSTOMIZED CONNECTORS AND CABLE ASSEMBLIES** to suit your individual needs.

SEACON also prides itself with the ability to perform stringent quality conformance testing procedures which are in accordance with the MIL-SPEC programs.

PART NUMBER SYSTEM - EXAMPLE



GENERAL INFORMATION

COMPONENT	MATERIAL
MOLDED BODY	Neoprene
BULKHEAD BODY	Brass (CA #360)
CONTACTS	Brass-gold plated
BULKHEAD N & W	Brass (CA #360)
O-RING	Nitrile (formerly known as Buna N)
LOCKING SLEEVE	Polyacetal
HOOK-UP WIRE	TFE insulated wire, #20 AWG

CATEGORY	VALUE
OPEN FACE PRESSURE	Up to 10,000 psi (700 bar) optional and needs to be specified
MATED PRESSURE	Up to 10,000 psi (700 bar)
VOLTAGE RATING	Up to 600 VDC (dependent on cable)
CURRENT RATING	Up to 19 amps per contact*
INSULATION RESISTANCE	>200 megohms @ 300 VDC
CONTACT RESISTANCE	<0.01 ohms
AIR MATE	>1,000 cycles
UNDERWATER MATE	>500
OPERATING TEMPERATURE	25° to 140°F (-4° to 60°C)
MOUNTING TORQUE	85 in-lb** In dry stainless 1/2" long Female threads

IN-LINE CABLE

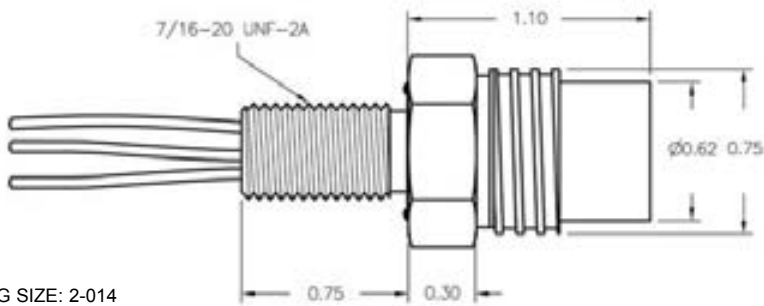
- MC-5/15 20/5 Neoprene jacket, rubber insulated 2.8 amp (300V).
Color code: Contact 1 Black, Contact 2 White, Contact 3 Red, Contact 4 Green, Contact 5 Orange.
- MC-2/6 & MC-2/12 22/2 Neoprene jacket, TFE insulated wire 1.5 amp (600V).
All contacts white and individually identified by color or flagged ends.
- MC-8/16 22/8 Neoprene jacket, TFE insulated wire 1.0 amp (600V).
All contacts white and individually identified by color or flagged ends.
- MC-3/6 & MC-3/15 22/TSP Neoprene jacket, TSP (Twisted Shielded Pair), TFE insulated wire 1.5 amp (600V).
Color code: Contact 1 Black, Contact 2 White, Contact 3 Shield.

NOTES:

- * Maximum carrying capacity for contacts may be affected by cable selection.
- ** For metal shells only, for other materials contact SEACON for recommendations.
- Connectors are designed for installation on one atmosphere vessels. Contact SEACON for recommendations if using compensated vessels.

**Micro WET-CON SPLIT SERIES
MC-BH-F
(6 contacts)**

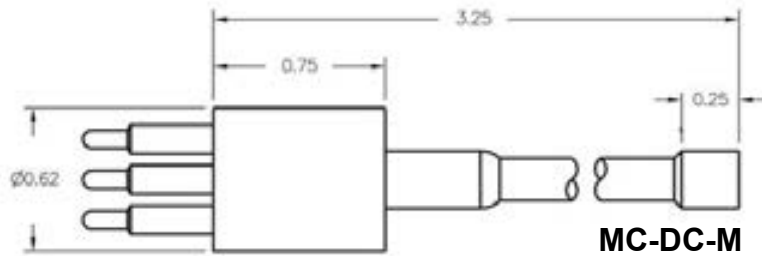
Micro WET-CON Split Bulkhead Connector Female Socket



NOTE:
· O-RING SIZE: 2-014

**Micro WET-CON SPLIT SERIES
MC-IL-M
(6 contacts)**

Micro WET-CON Split In-Line Connector Male Plug



OPTIONAL PARTS

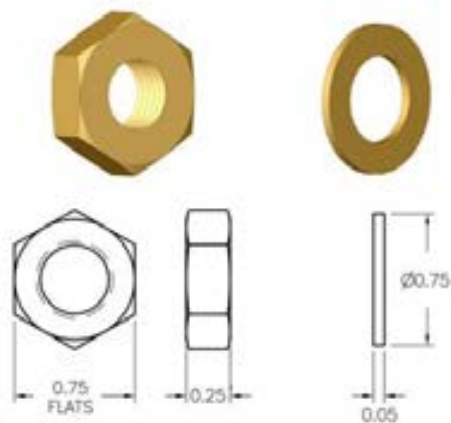
**Micro WET-CON SPLIT SERIES
MC-DLS-F
(6 contacts)**

Micro WET-CON Split Dummy Locking Sleeve Female Socket



**Micro WET-CON SPLIT SERIES
HEX NUT AND WASHER
(6 contacts)**

Micro WET-CON Split Bulkhead Connector

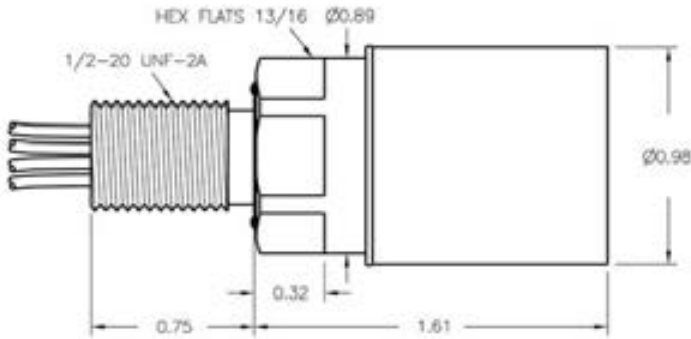


STD - BRASS
(Stainless Steel and others available upon request)

NOTES:
· For interface details please contact SEACON.

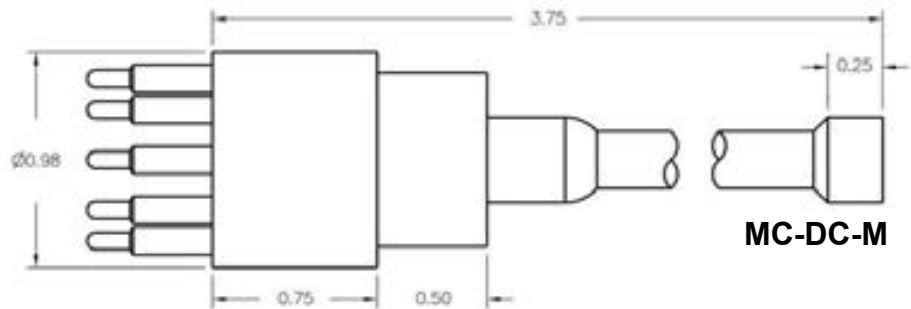
**Micro WET-CON SPLIT SERIES
MC-BH-F
(12 - 16 contacts)**

Micro WET-CON Split Bulkhead Connector Female Socket



**Micro WET-CON SPLIT SERIES
MC-IL-M
(12 - 16 contacts)**

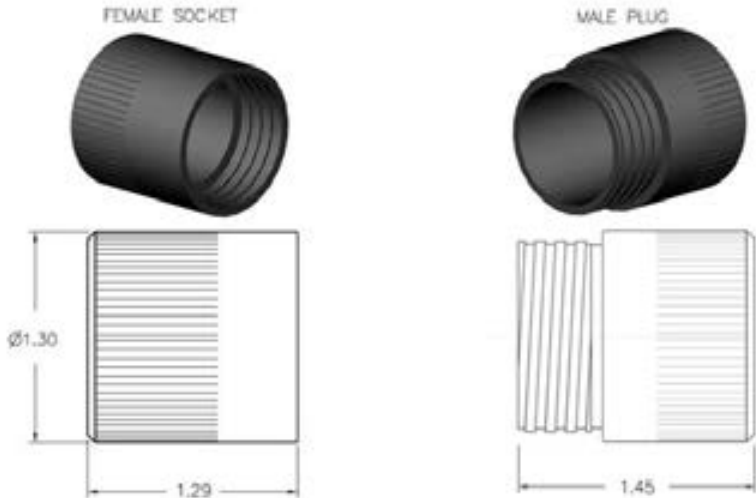
Micro WET-CON Split In-Line Connector Male Plug



OPTIONAL PARTS

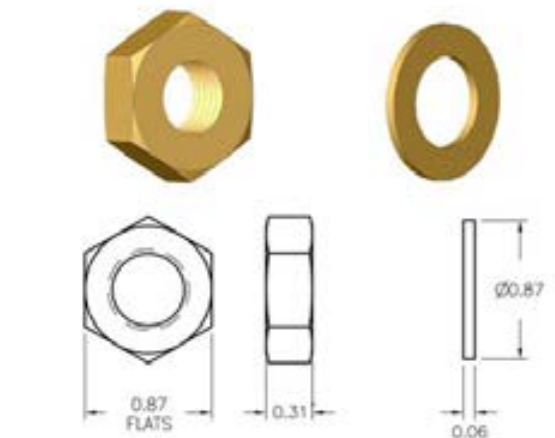
**Micro WET-CON SPLIT SERIES
MC-DLSA-F/M
(12 - 16 contacts)**

Micro WET-CON Split Dummy Locking Sleeve Female Socket/Male Plug



**Micro WET-CON SPLIT SERIES
HEX NUT AND WASHER
(12 - 16 contacts)**

Micro WET-CON Split Bulkhead Connector

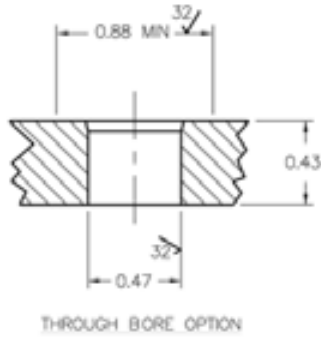


STD - BRASS
(Stainless Steel and others available upon request)

NOTES:
· For interface details please contact SEACON.

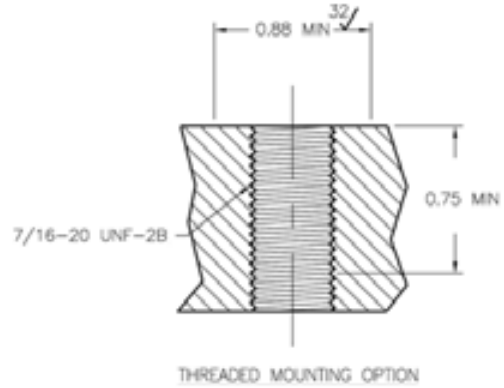
**Micro WET-CON SPLIT SERIES
MC-BH *
(6 contacts)
THROUGH BORE OPTION**

Micro WET-CON Bulkhead Connector



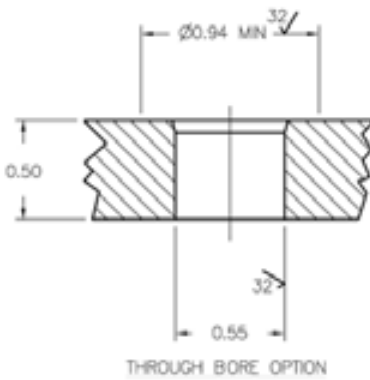
**Micro WET-CON SPLIT SERIES
MC-BH
(6 contacts)
THREADED MOUNTING OPTION**

Micro WET-CON Bulkhead Connector



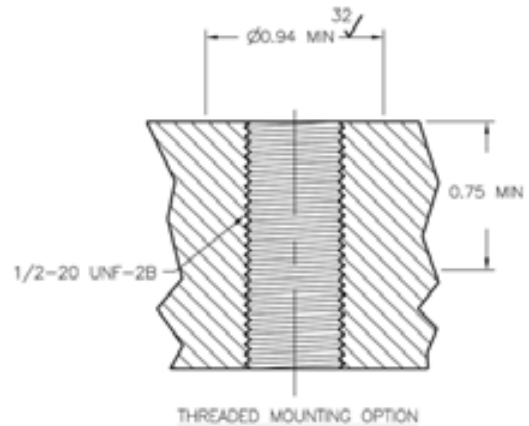
**Micro WET-CON SPLIT SERIES
MC-BH **
(12 - 16 contacts)
THROUGH BORE OPTION**

Micro WET-CON Bulkhead Connector







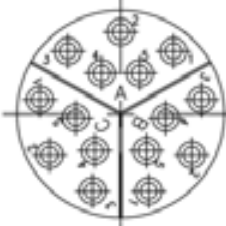
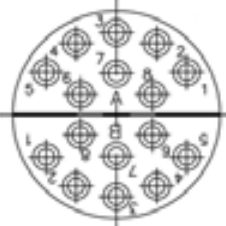
**Micro WET-CON SPLIT SERIES
MC-BH
(12 - 16 contacts)
THREADED MOUNTING OPTION**

Micro WET-CON Bulkhead Connector



NOTES:

- * This option requires the 7/16 Hex Nut, Washer and MIN Ø0.88 clearance on low pressure side of wall.
- ** This option requires the 7/16 Hex Nut, Washer and MIN Ø0.94 clearance on low pressure side of wall.

SIZE	Micro WET-CON SPLIT CONTACT CONFIGURATIONS (FEMALE FACE VIEW ONLY - NOT TO SCALE)*			
6	 <p data-bbox="245 386 406 407">MC-BH-2/6-FS SPLIT</p>	 <p data-bbox="570 386 730 407">MC-BH-3/6-FS SPLIT</p>		
12-16	 <p data-bbox="258 701 428 722">MC-BH-2/12-FS SPLIT</p>	 <p data-bbox="583 701 753 722">MC-BH-3/15-FS SPLIT</p>	 <p data-bbox="899 701 1070 722">MC-BH-5/15-FS SPLIT</p>	 <p data-bbox="1213 701 1383 722">MC-BH-8/16-FS SPLIT</p>

NOTES:

· * For male face view contact configurations available please contact SEACON.

HANDLING PROCEDURES AND SPECIAL CAPABILITIES

SEACON GLOBAL PRODUCTION

Callejon Terrazos #8, Local 2-C, Las Brisas 1ra. Seccion,
Tijuana, B.C., Mexico C.P. 22610.
TEL: +52 (664) 626-2726
FAX: +52 (664) 686-8922
E-Mail: sales@seaconglobal.com
Website: www.seaconglobal.com
Dial from U.S.A. TEL: +1 (619) 308-7901
TOLL FREE: (888) 562-7072
FAX: +1 (619) 308-7900

SEACON (europe) LTD

Seacon House, Hewett Road, Gapton Hall Industrial Estate,
Great Yarmouth, Norfolk, NR31 0RB, UK.
TEL: +44 (0) 1493-652733
FAX: +44 (0) 1493-652840
E-Mail: sales@seaconeurope.com
Website: www.seaconeurope.com

SEACON

1700 Gillespie Way,
El Cajon, California 92020, USA.
TEL: +1 (619) 562-7071
FAX: +1 (619) 562-9706
E-Mail: seacon@seaconworldwide.com
Website: www.seaconworldwide.com

SEACON US GULF AREA SALES OFFICE

14511 Old Katy Road, Suite 300,
Houston, Texas 77079, USA.
TEL: +1 (281) 599-3509
FAX: +1 (281) 599-3517
E-Mail: gulfcoastsales@seaconworldwide.com
Website: www.seaconworldwide.com

SEACON ADVANCED PRODUCTS, LLC

1321 Nelius Road, P.O. Box 767,
Bellville, Texas 77418, USA.
TEL: +1 (979) 865-8846
FAX: +1 (979) 865-8859
E-Mail: sales@seacon-ap.com
Website: www.seacon-ap.com

SEACON BRAZIL

Rua Conde de Bonfim 120 sala 212, Tijuca,
Rio de Janeiro, Brazil, CEP: 20520-053.
TEL: +55 (11) 2103-6262
CELL: +55 (21) 9-7626-6062
E-mail: adalberto.bromberg@te.com
Website: www.seaconworldwide.com

SEACON PHOENIX

15 Gray Lane, Suite 108, Hopkinton Industrial Park,
Ashaway, Rhode Island 02804, USA.
TEL: +1 (401) 637-4952
FAX: +1 (401) 637-4953
E-Mail: sales@seaconphoenixllc.com
Website: www.seaconphoenix.com

Even though these procedures appear simple, only qualified technicians should perform the installation and maintenance. Connectors are designed for installation on one atmosphere vessels. Contact SEACON for recommendations if using compensated vessels.

INSTALLATION PROCEDURES

Torque values referenced in this literature assume installation into dry metal threads. For other applications, please contact SEACON for recommendations.

BULKHEAD CONNECTOR (BC): The BC may be installed using one of two methods. The preferred method is to spotface the bulkhead surface and thread the hole, then screw the connector by means of a nut and washer. The bored hole (or threaded hole) should be free of any "burrs" and all o-ring sealing surfaces polished to a number 32 finish. Lubricate the BC o-ring with an appropriate silicon spray or grease before installing. This lubrication should be applied to form an adequate film. Excessive lubrication is detrimental to the operation of the connector. Bulkhead nut, if used, should not be over-torqued.

IN-LINE CONNECTOR: Lubricate the sealing areas around the male pins, using an appropriate silicon spray, or grease lightly.

CARE AND MAINTENANCE

The WET-CON and Micro WET-CON connectors require very little maintenance. They are designed to be used in harsh environments and thus limited amounts of dirt and grit do not affect their performance.

It is recommended that, upon disconnecting or retrieving the system, the connectors be cleaned, to storage (if possible, remate with dummy plugs). Prior to deployment the following maintenance procedure is recommended:

1. Demate the connector set.
2. Flush connector interface with fresh water (deionized water if available), remove all dirt, grit and grease.
3. Inspect for damage in sealing areas, excessive corrosion, debonding of the cable and connector interface and cuts in the cable jacket.
4. Apply thin film of dielectric compound (DC) grease, silicon based, to sealing areas of male connector and across the face of the female connector*. If the BC is removed from its housing then replace facial o-ring and make sure that o-rings are lubricated and in good condition.
5. Mate the connector halves, wipe away any excess grease off the interface line of the mated set.

* **CAUTION:** The use of some oil-based propellants in spray cans can cause conductivity problems in neoprene.

CABLE AND CONTINUITY PRESERVATION

Avoid sharp bends in cables. Cables subjected to vibration or exposed to seawater drag should be adequately clamped to prevent conductor fatigue and ultimate failure.

All reasonable efforts have been taken to ensure that the information contained herein is accurate at the date of publication, but no representation or warranty as to the accuracy or completeness of such information is intended or to be implied by its inclusion herein. Any and all representations and warranties pertaining to the information and products referred to herein shall be set forth in SEACON standard sales order form. In addition, SEACON reserves the right to make changes to the contents hereof without notice, therefore it is suggested that at the time of inquiry, the appropriate sales office or factory be contacted directly for verification of published specifications and products availability.

© 2017 SEACON
ALL RIGHTS RESERVED

