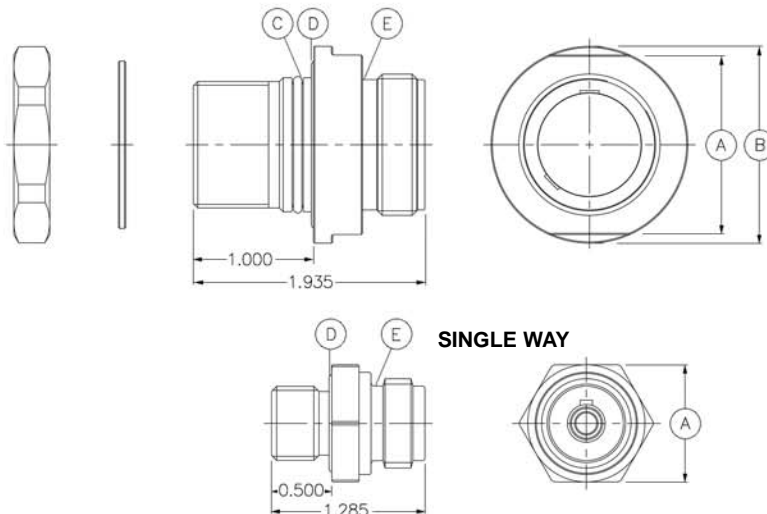
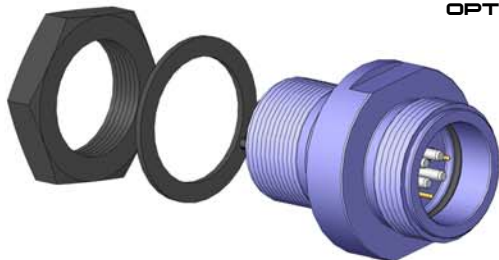


OPTI-CON SERIES OPT-BCR

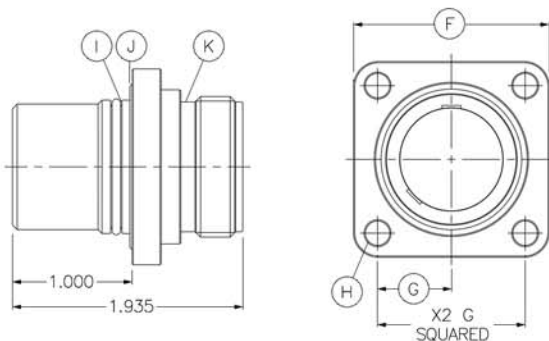
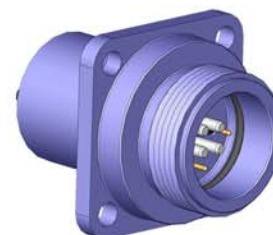
OPTI-CON Bulkhead Connector Receptacle
Mates with OPT-CCP
Dummy Connector: OPT-DSP



CONNECTOR	A - FLATS (INCHES)	B - Ø (INCHES)	C - O-RING	D - O-RING	E - O-RING (INTERNAL)	TORQUE VALUES
OPT-F-BCR-SINGLE-WAY	0.980	N/A	N/A	017	011	-
OPT-G-4-BCR	1.25	1.400	018	022	016	18 / 20Nm (160/178 In-lbs.)
OPT-M-8-BCR	1.50	1.645	022	026	020	20 / 23Nm (178/204 In-lbs.)
OPT-Q-12-BCR	2.00	2.145	029	031	028	23 / 26Nm (204/231 In-lbs.)
OPT-T-20-BCR	2.25	2.520	032	034	031	26 / 29Nm (231/255 In-lbs.)

OPTI-CON SERIES OPT-FCR

OPTI-CON Flange Connector Receptacle
Mates with OPT-CCP
Dummy Connector: OPT-DSP



CONNECTOR	F - SQUARE (INCHES)	G - (INCHES)	H - Ø (INCHES)	I - O-RING	J - O-RING	K - O-RING (INTERNAL)
OPT-F-FCR-SINGLE-WAY	1.180	0.425	0.167	012	017	011
OPT-G-4-FCR	1.400	0.540	0.167	018	022	016
OPT-M-8-FCR	1.645	0.620	0.206	022	026	020
OPT-Q-12-FCR	2.145	0.825	0.245	029	031	028
OPT-T-20-FCR	2.520	1.000	0.245	032	034	031