



**PRECISION SUBSEA AS
PRODUCT DATASHEET**

**FIBER OPTIC SUTA
(SUBSEA UMBILICAL TERMINATION ASSEMBLY)**



DESCRIPTION

The **Fiber Optic SUTA** (Subsea Umbilical Termination System) is a termination and distribution unit for optical cables. It contains a fiber management system, mechanical armor termination and fiber k-tube feed-through penetrations.

KEY FEATURES

- Dual chamber design
- Pressure balanced oil filled (PBOF) chamber on the connector side with Precision MKII interface
- One atmosphere chamber on the cable side with ports for seal integrity testing
- High pressure fiber optic penetrator between the connector & cable chambers
- Integral fiber management system in both chambers
- Connector & PBOF side factory terminated & tested prior to cable assembly
- Modular design with options for multi-entry & multi-exit
- Field Installable (no compounds)
- Redundant or dual seals on all barriers
- Designed in accordance with ISO-13628-5

TESTING

- Hyperbaric pressure testing to 342 bar (3,000m water depth +10%)
- Nitrogen seal verification testing via test port feature
- ESS testing
- Axial load testing:
 - Inline: 5000N
 - 90°: 2500N

SPECIFICATIONS

- Design Life: 25 Years
- Operational Depth: 4,500m (max)
- Operational Temperature: -5°C to +45°C
- Storage Temperature: -20°C to +60°C
- Compensation Fluid: Silicone Oil



PRECISION SUBSEA AS PRODUCT DATASHEET

CONFIGURATIONS

- Standard:
 - 8 off Fiber Optic Circuits: Single-Mode or Multi-Mode
 - Cable Diameter Min: 8mm
 - Cable Diameter Max: 18mm
- Optional:
 - Multi-Cable Entry: Contact Precision for details
 - Multi-Hose Exit: Contact Precision for details
 - Up to 48 Fiber Optic Circuits: Contact Precision for details

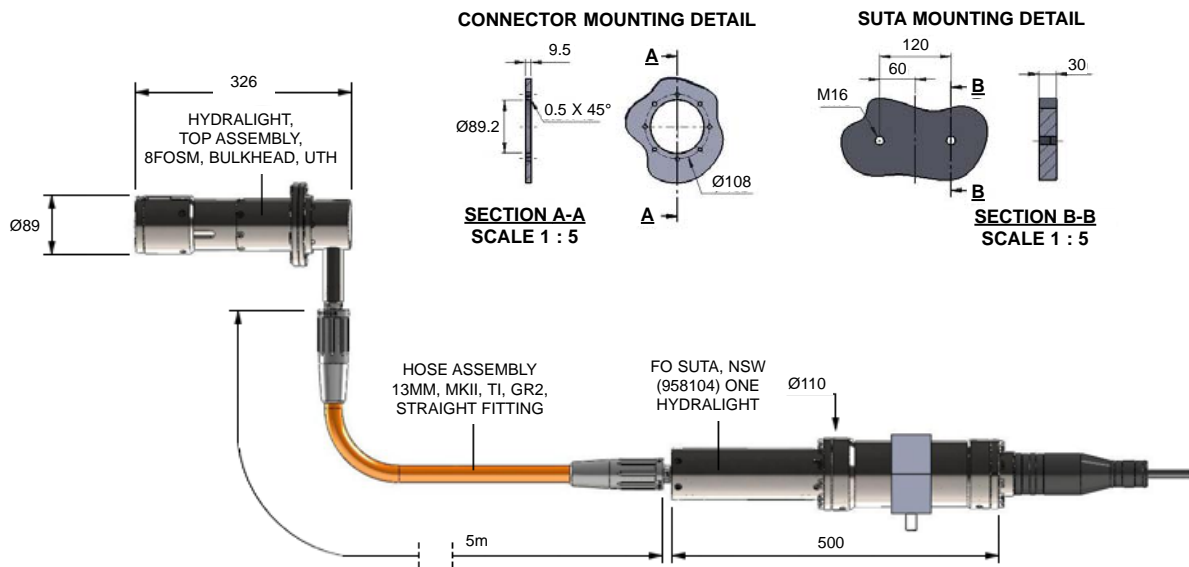
OPTICAL PERFORMANCE

- Insertion Loss: <0.10dB per splice
- Return Loss: <-55dB per splice

MATERIALS

- Standard:
 - Shell: Titanium CP Gr. 2
 - Seals: Nitrile
- Optional:
 - Shell: 316L Stainless Steel
 - Seals: Viton®
 - Super Duplex

DIMENSION DETAILS



All reasonable efforts have been taken to ensure that the information contained herein is accurate at the date of publication, but no representation or warranty as to the accuracy or completeness of such information is intended or to be implied by its inclusion herein. Any and all representations and warranties pertaining to the information and products referred to herein shall be set forth in Precision Subsea AS standard sales order form. In addition, Precision Subsea AS reserves the right to make changes to the contents hereof without notice, therefore it is suggested that at the time of inquiry, the appropriate sales office or factory be contacted directly for verification of published specifications and products availability.

© 2014 Precision Subsea AS
ALL RIGHTS RESERVED