

PRODUCT DATASHEET

CM2000 3.3kVAC 200 amps HIGH INTEGRITY, WET-MATE, ELECTRICAL CONNECTORS



DESCRIPTION

The **CM2000** 3.3kVAC underwater mateable electrical connector is modular in design and particularly well suited for adaptation to special applications, however it is also available in industry standard configurations. The unique design features combine superior electrical isolation and ensure the highest connector reliability.

KEY FEATURES

- Over 180 **CM2000** 3.3kVAC units sold worldwide
- Over 2,822 **CM2000** units in total sold worldwide
- Modular electrical contacts
- Oil filled, pressure balanced socket contacts
- Redundant sealing barriers for each contact
- No single point failures
- Extensive qualification testing data available
- Simple and robust with few moving parts
- Voltage rating: 3.3kVAC phase-to-earth (3.3/4.6/5.7)
- Current rating: 200 amps 4-contacts
- Rated for deepwater applications
- PBOF hose or molded interface terminations
- Wide operational temperature rating
- Elastomers have over 20 years of use underwater
- Stab, diver or ROV configurations
- Many different body materials available
- Industry standard mounting for bulkhead connectors
- Patented design and features
- High quality electrical high-current wire
- Designed to be tolerant to mating in sand/silt environments

QUALITY

- **SEACON** Advanced Products, LLC operate a Quality Management System certified to ISO 9001:2008.



Certificate No. 6936

SEACON Advanced Products, LLC.

1321 Nelius Road, PO Box 767, Bellville, Texas 77418, USA

TEL: +1 (979) 865 8846 FAX: +1 (979) 865 8859

E-Mail: sales@seacon-ap.com Website: www.seacon-ap.com

SAPL-DS-0017

CM2000 3.3kVAC 200 amp

Rev 1

Page 1 of 2

PRODUCT DATASHEET

CONFIGURATIONS AND DESIGN FEATURES

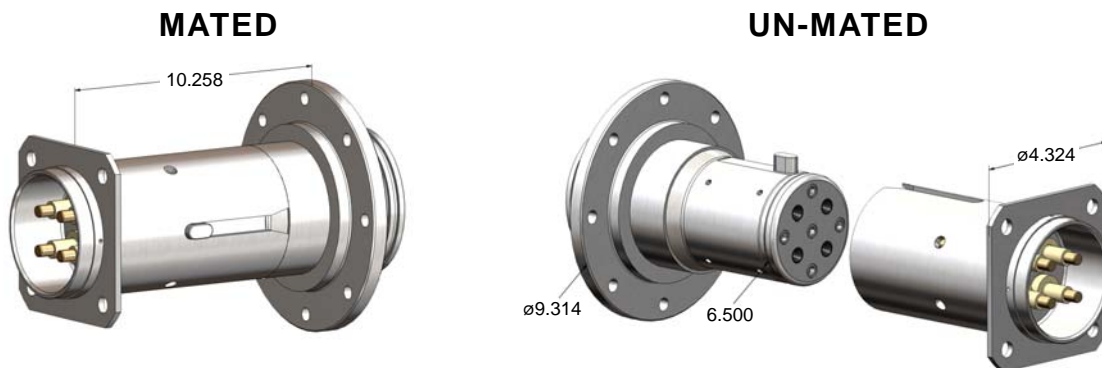
- Stab plate/diver mate or ROV mate
- 4 x 12mm contacts - 200 amps continuous rating
- Oil-filled, pressure balanced socket contacts
- Redundant sealing barriers on each contact
- Dummies, shorting plugs and parking positions available
- Various options for cable attachment:
 - Pressure balanced oil filled hose
 - Field-installable gland termination
 - Polyurethane molding
 - Polyurethane molding to Polyethylene cable

DESIGN RATINGS

- Design Life: 25 years
- Pressure Rating: 7,500 psi
- Current Rating: Up to 250 amps
- Life-Cycle: Minimum 100 mate/de-mates

OPERATION

- Typical misalignment tolerances (dependent on model and configuration):
 - Maximum rotational misalignment: 0.5°
 - Maximum angular misalignment: 0.5°
 - Maximum radial misalignment: 0.8mm (0.032 inches)
 - Maximum axial separation: 2.5mm (0.1 inches)



All reasonable efforts have been taken to ensure that the information contained herein is accurate at the date of publication, but no representation or warranty as to the accuracy or completeness of such information is intended or to be implied by its inclusion herein. Any and all representations and warranties pertaining to the information and products referred to herein shall be set forth in SEACON® standard sales order form. In addition, SEACON® reserves the right to make changes to the contents hereof without notice, therefore it is suggested that at the time of inquiry, the appropriate sales office or factory be contacted directly for verification of published specifications and products availability.

© 2011 SEACON Advanced Products, LLC.
ALL RIGHTS RESERVED

SEACON Advanced Products, LLC.

1321 Nelius Road, PO Box 767, Bellville, Texas 77418, USA

TEL: +1 (979) 865 8846 FAX: +1 (979) 865 8859

E-Mail: sales@seacon-ap.com Website: www.seacon-ap.com

SAPL-DS-0017

CM2000 3.3kVAC 200 amps

Rev 1

Page 2 of 2