

## PRODUCT DATASHEET

# 75 OHM COAX CONNECTOR



75 ohm coax connector

### DESCRIPTION

Developed in conjunction with a camera manufacturer where a new HD camera required impedance matched coax and signal lines. This new connector is based around **SEA CON**<sup>®</sup>'s MINL-CCP shell size with the bulkhead having a combination of the MINL front end interface but with a **SEA CON** 5515 FCR mounting interface. The insert is manufactured from moulded PEEK (Polyetheretherketone) with a 316L Stainless Steel connector shell and has a pressure rating of 7,500 psi in a mated condition. This new 75 ohm coax connector is also available with the bulkhead having the standard MINL-BCR mounting interface.

### KEY FEATURES

- Based around existing design
- Available in alternative materials
- Suitable for a variety of applications

### DESIGN SPECIFICATION

- Contacts: 1 coax, 6 electrical (22 AWG)
- Recommended Coaxial Cable or Component: RG.6A/U & RG.59B/U
- Pressure rated to 7,500 psi (mated)
- Impedance: 75 ohms
- Current: 3-4 amps

**NOTE:**

These connectors are not open face pressure rated and should not be used in PBOF (Pressure Balanced Oil Filled) or OF (Oil Filled) assemblies. Please contact **SEA CON** (europe) Ltd for more details.

### QUALITY

- \* **SEA CON** (europe) Ltd operate a Quality Management System accredited to ISO 9001.



#### SEACON (europe) Ltd

Seacon House, Hewett Road, Gapton Hall Industrial Estate,  
Great Yarmouth, NR31 0RB, United Kingdom

TEL: +44 (0) 1493 652733 FAX: +44 (0) 1493 652840

E-Mail: info@seaconeurope.com Website: www.seaconeurope.com

SCE-DS-0013

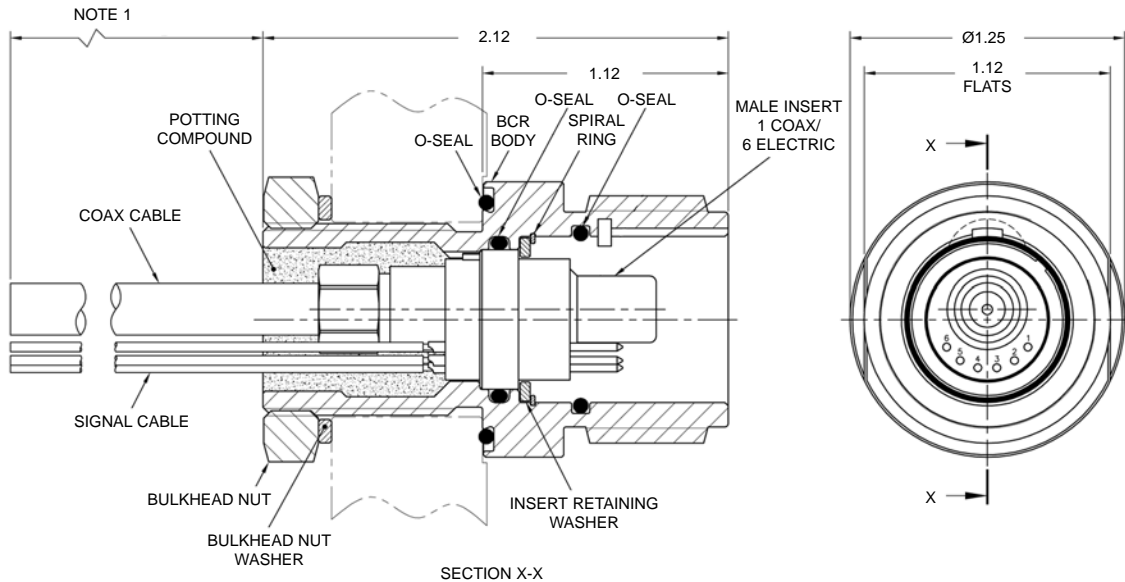
75 OHM COAX CONNECTOR

Rev 4

Page 1 of 4

**PRODUCT DATASHEET**

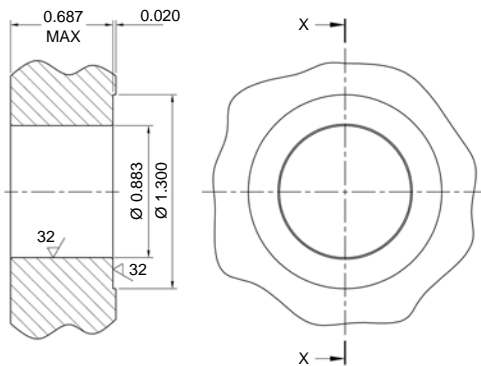
**MINI-CON MIN-L BCRL - 1 COAX/6 ELECTRIC**



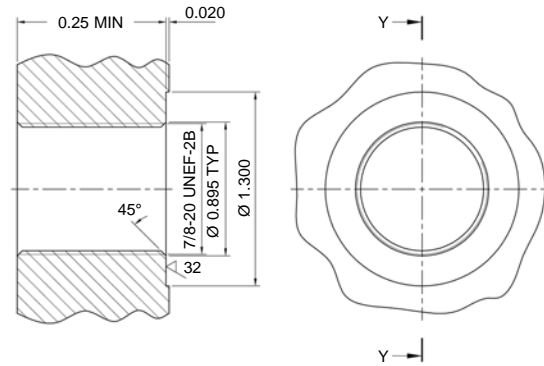
**NOTES:**

1 - Cable tail length to be specified on purchase order.

**BCR THROUGH BORE MOUNTING OPTION**



**BCR THREAD MOUNTED OPTION**



**SEACON (europe) Ltd**

Seacon House, Hewett Road, Gapton Hall Industrial Estate,  
Great Yarmouth, NR31 0RB, United Kingdom

TEL: +44 (0) 1493 652733 FAX: +44 (0) 1493 652840

E-Mail: info@seaconeurope.com Website: www.seaconeurope.com

SCE-DS-0013

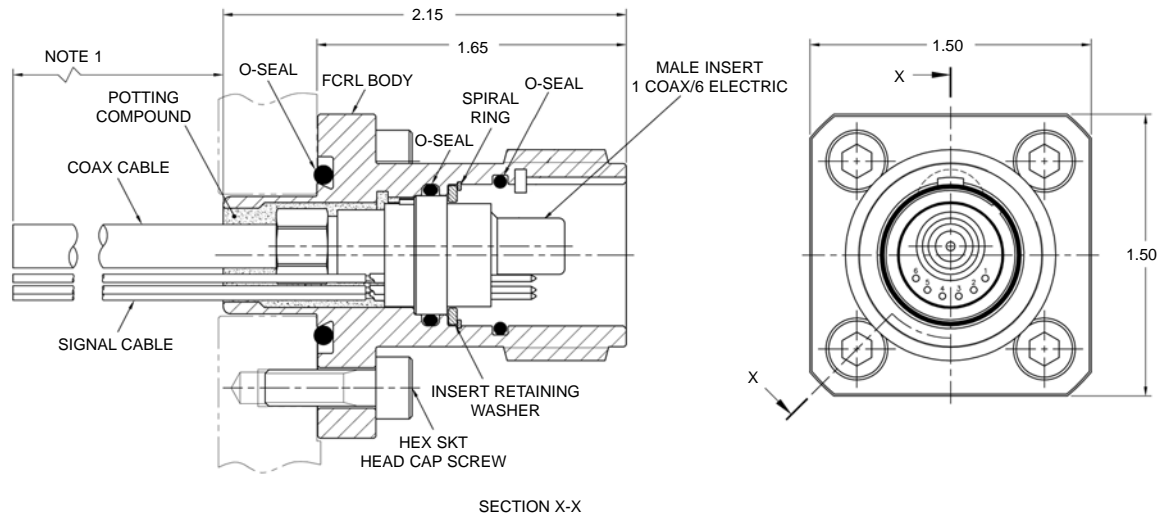
**75 OHM COAX CONNECTOR**

Rev 4

Page 2 of 4

## PRODUCT DATASHEET

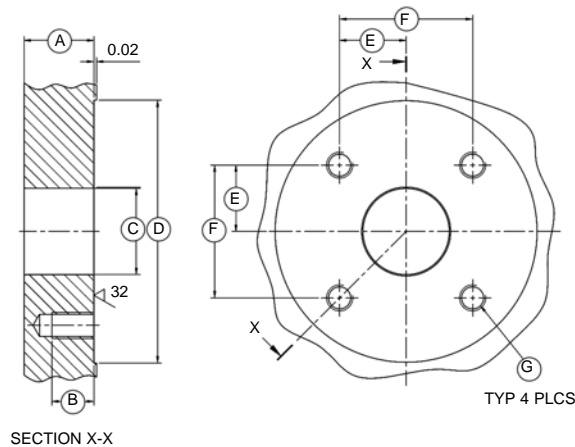
### MINI-CON MIN-L FCRL - 1 COAX/6 ELECTRIC (55 SERIES SIZE 15 INTERFACE)



**NOTES:**

1 - Cable tail length to be specified on purchase order.

#### FCR INTERFACE MOUNTING INFORMATION



| CONNECTOR | A - MIN (INCHES) | B - TYPICAL Ø (INCHES) | C - Ø (INCHES) | D - Ø (INCHES) | E - (INCHES) | F - (INCHES) | G - THREAD | RECOMMENDED FIXING SCREW LENGTH |
|-----------|------------------|------------------------|----------------|----------------|--------------|--------------|------------|---------------------------------|
| 5506-15   | 0.525            | 0.315                  | 0.65           | 1.98           | 0.50         | 1.00         | M5x0.8p 6H | 15mm                            |

**SEACON (europe) Ltd**

Seacon House, Hewett Road, Gapton Hall Industrial Estate,  
Great Yarmouth, NR31 0RB, United Kingdom  
TEL: +44 (0) 1493 652733 FAX: +44 (0) 1493 652840

E-Mail: [info@seaconeurope.com](mailto:info@seaconeurope.com) Website: [www.seaconeurope.com](http://www.seaconeurope.com)

SCE-DS-0013

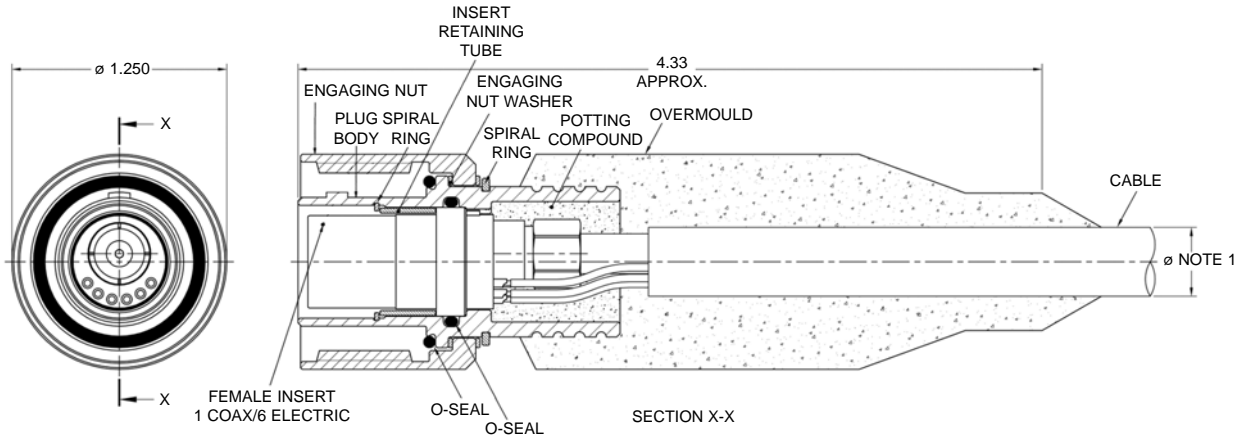
75 OHM COAX CONNECTOR

Rev 4

Page 2 of 4

## PRODUCT DATASHEET

### MINI-CON MIN-L CCPL - 1 COAX/6 ELECTRIC MOULDED STRAIGHT



**NOTES:**

1 - Cable specification and dimensions to be advised.

All reasonable efforts have been taken to ensure that the information contained herein is accurate at the date of publication, but no representation or warranty as to the accuracy or completeness of such information is intended or to be implied by its inclusion herein. Any and all representations and warranties pertaining to the information and products referred to herein shall be set forth in SEA CON® standard sales order form. In addition, SEA CON® reserves the right to make changes to the contents hereof without notice, therefore it is suggested that at the time of inquiry, the appropriate sales office or factory be contacted directly for verification of published specifications and products availability.

© 2011 SEACON (europe) Ltd  
ALL RIGHTS RESERVED

**SEACON (europe) Ltd**

Seacon House, Hewett Road, Gapton Hall Industrial Estate,  
Great Yarmouth, NR31 0RB, United Kingdom

TEL: +44 (0) 1493 652733 FAX: +44 (0) 1493 652840

E-Mail: [info@seaconeurope.com](mailto:info@seaconeurope.com) Website: [www.seaconeurope.com](http://www.seaconeurope.com)

SCE-DS-0013

75 OHM COAX CONNECTOR

Rev 4

Page 4 of 4