

PRODUCT DATASHEET

COMMERCIAL SUBSEA FIBER OPTIC CONNECTOR



DESCRIPTION

SEA CON®'s new commercial subsea fiber optic connector, based on our standard rubber molded connector series, provides a cost effective solution for single channel fiber optic requirements in subsea environments. Cable assemblies (single-mode or multi-mode) are terminated at each end with a Cable Connector Plug (CCP) and the Bulkhead Connector Receptacle (BCR) has pigtails terminated with standard ST connectors.

ORDERING INFORMATION

- VMF-FO-CCP-DE-XX-ASSY - Double Ended Cable Assembly (XX = length to be specified by customer)
- VSF-FO-BCR-ASSY - Bulkhead Connector Assembly
- Bulkhead Protective Cap

KEY FEATURES

- Affordable single channel fiber optic connector
- Easy to connect, plug & lock
- Insertion loss 0.5 dB typical (1.0 dB max)
- Pressure: 1,000 psi max (700m)
- >20 mate/de-mate cycles
- Optical Cable
- Harsh environment/subsea

DESIGN RATINGS

- Insertion loss: 0.5 dB typical (1.0 dB max)
- Durability: >20 cycles (mates/un-mates)
- Pressure rating: 2,000 psi (mated)
- Temperature rating: -4°C to 60°C
- Bulkhead mounting torque: 15 in-lbs (installation into dry metal threads)
- Connection retention force: 5 lbs
- Fiber size: single-mode or multi-mode
- Cable attenuation dB/Km:
 - 0.35 at 1310 nm (wavelength)
 - 0.25 at 1550 nm (wavelength)
- Cable min bend radius: 2.0" (50.8mm)

SEA CON Global Production

Callejon Terrazos #8, Local 2-C, Las Brisas 1ra. Seccion, Tijuana, B.C., Mexico C.P. 22610

TEL: +52 (664) 626-2726 FAX: +52 (664) 686-8922

E-Mail: sales@seaconglobal.com Website: www.seaconglobal.com

Dial from U.S.A: TEL: +1 (619) 308-7901 TOLL FREE: (888) 562-7072 FAX: +1 (619) 308-7900

SGP-DS-0001

Commercial Subsea FO

Rev 2

Page 1 of 2

PRODUCT DATASHEET

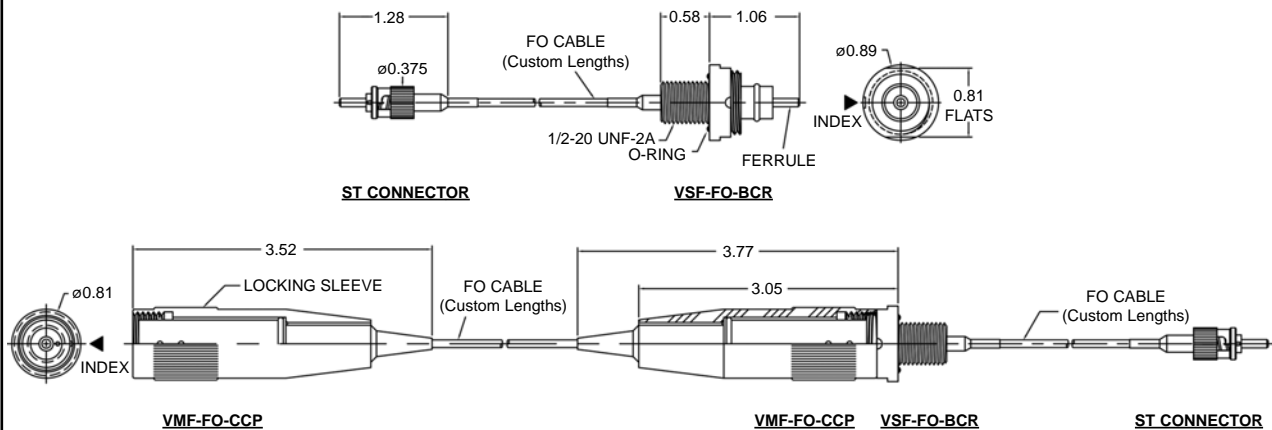
MATERIALS

- CCP body: Neoprene boot.
- BCR body: Glass Reinforced Epoxy (GRE)
- Contact ferrule & alignment sleeve: Zirconia, ceramic
- Locking sleeve: Delrin® (DuPont trademark for Acetal Resin)
- O-ring: Nitrile
- Optical cable: Single-mode or multi-mode fiber, PU jacket (OD .080"), Kevlar strength member.
- Dry connector: ST connectors (std)

TYPICAL APPLICATIONS

- Undersea high traffic/speed data transmission
- High EMI areas
- Secured communications
- Military and Naval applications
- ROV's
- Buoy systems/interconnections

DIMENSION DETAILS



QUALITY

- **SEA CON** Global Production operate a Quality Management System certified to ISO 9001:2008.



All reasonable efforts have been taken to ensure that the information contained herein is accurate at the date of publication, but no representation or warranty as to the accuracy or completeness of such information is intended or to be implied by its inclusion herein. Any and all representations and warranties pertaining to the information and products referred to herein shall be set forth in **SEA CON**® standard sales order form. In addition, **SEA CON**® reserves the right to make changes to the contents hereof without notice, therefore it is suggested that at the time of inquiry, the appropriate sales office or factory be contacted directly for verification of published specifications and products availability.

© 2011 **SEA CON** Global Production
ALL RIGHTS RESERVED

SEA CON Global Production

Callejon Terrazos #8, Local 2-C, Las Brisas 1ra. Seccion, Tijuana, B.C., Mexico C.P. 22610

TEL: +52 (664) 626-2726 FAX: +52 (664) 686-8922

E-Mail: sales@seaconglobal.com Website: www.seaconglobal.com

November 2011

Dial from U.S.A: TEL: +1 (619) 308-7901 TOLL FREE: (888) 562-7072 FAX: +1 (619) 308-7900

SGP-DS-0001
Commercial Subsea FO
Rev 2
Page 2 of 2