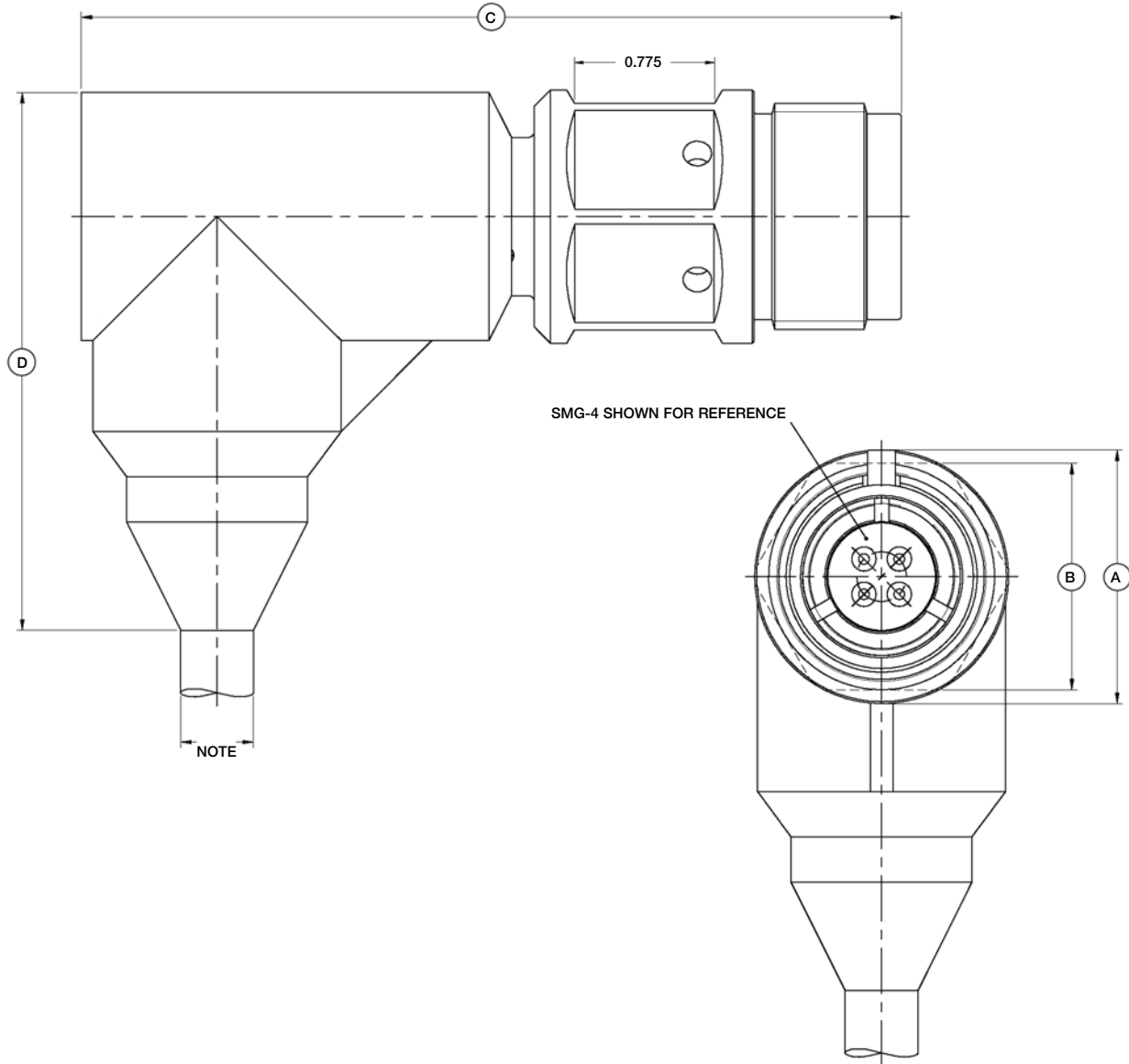


**SEA-MATE SERIES
SM-CCR-R/A**

SEA-MATE Cable Connector Receptacle Right Angle
Mates with SM-CCP
Dummy Connector: SM-DSP



CONNECTOR	A - Ø (INCHES)	B - Ø (INCHES)	C - LENGTH (INCHES)	D - LENGTH (INCHES)
SMG-CCR-R/A	1.400	1.250	4.53	2.97
SMK-CCR-R/A	1.775	1.625	5.03	3.17
SML-CCR-R/A	2.150	2.000	5.15	3.99
SMM-CCR-R/A	2.525	2.375	5.28	4.87

NOTE:
Anixter cable as standard unless otherwise specified.