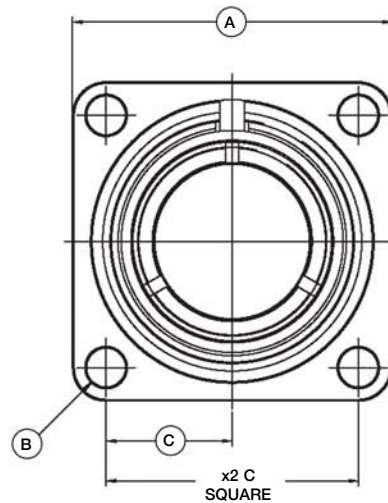
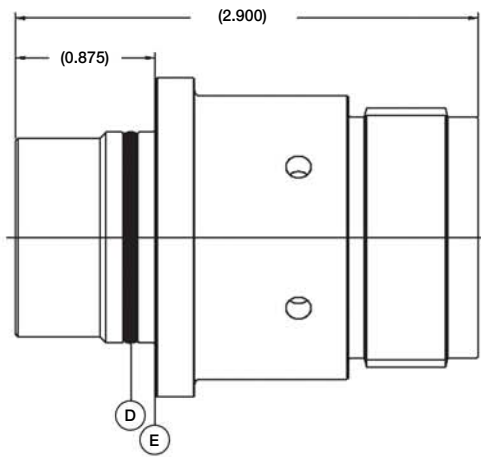
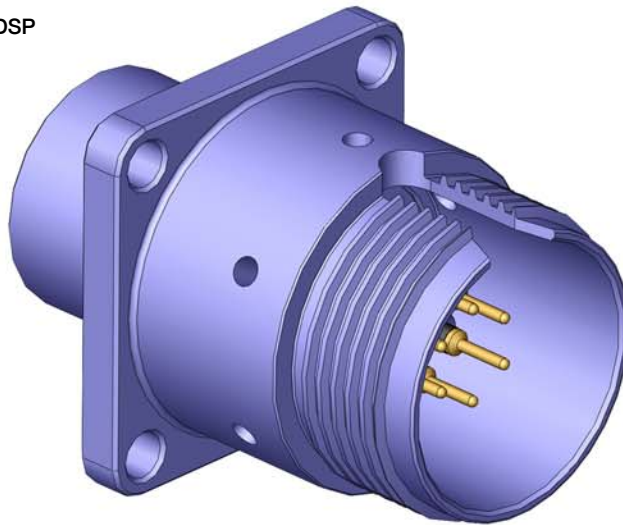


SEA-MATE SERIES
SM-FCR

SEA-MATE Flange Connector Receptacle
Mates with SM-CCP
Dummy Connector: SM-DSP



CONNECTOR	A - SQUARE (INCHES)	B - Ø (INCHES)	C - (INCHES)	D - O-RING	E - O-RING
SMG-FCR	1.625	0.206	0.635	BS1806-019	BS1806-024
SMK-FCR	2.000	0.245	0.790	BS1806-025	BS1806-029
SML-FCR	2.375	0.245	0.975	BS1806-519	BS1806-032
SMM-FCR	2.750	0.325	1.100	BS1806-134	BS1806-035