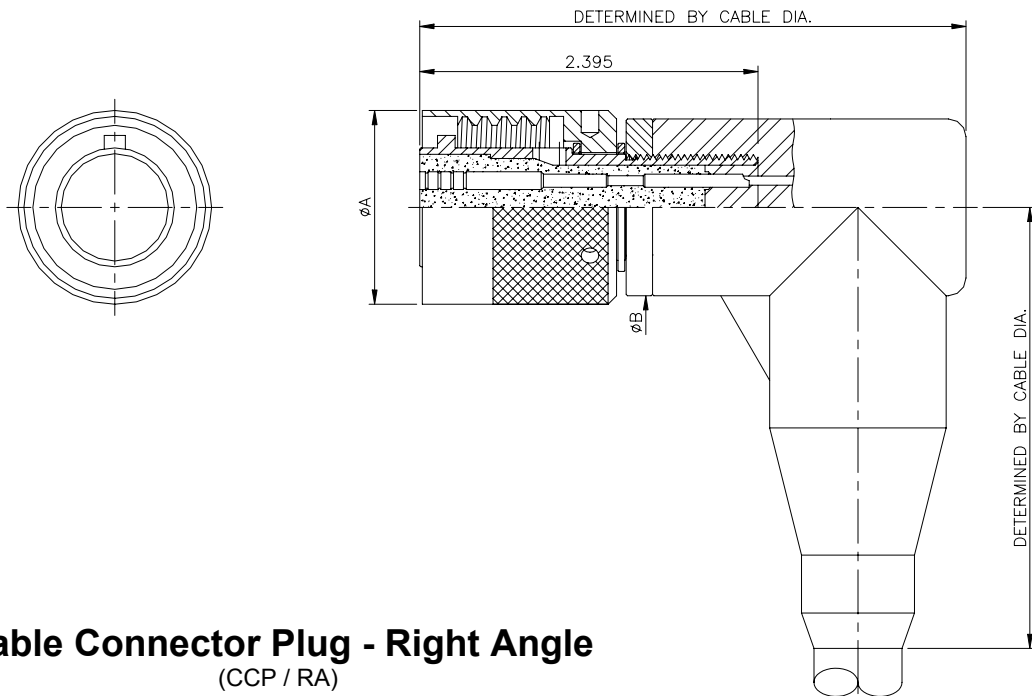
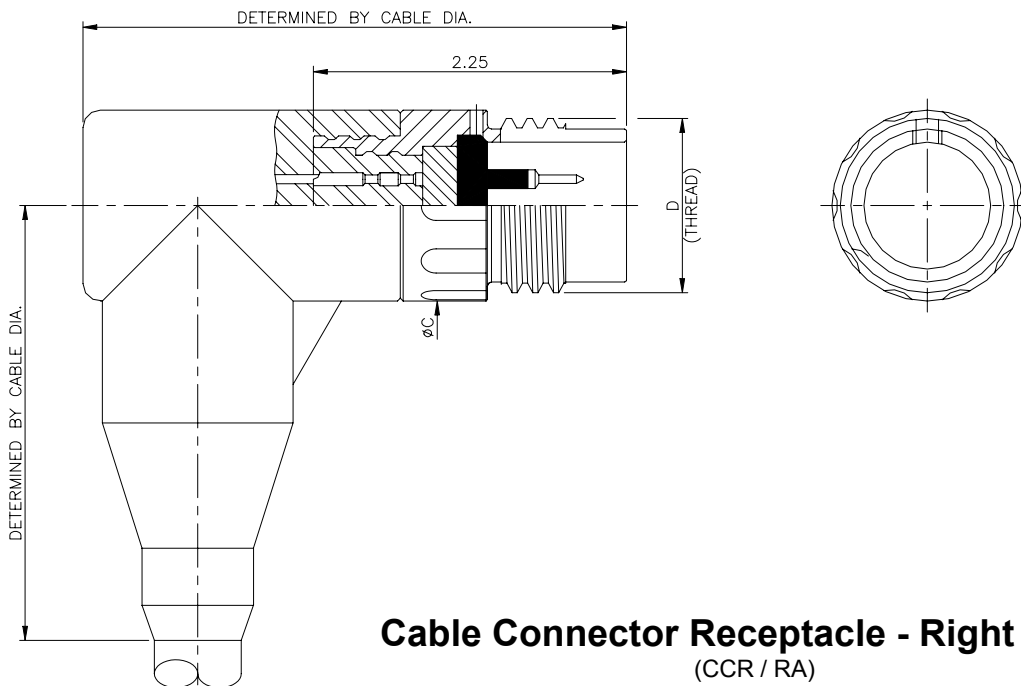


# Right Angle Connector Details



**Cable Connector Plug - Right Angle**  
(CCP / RA)



**Cable Connector Receptacle - Right Angle**  
(CCR / RA)

SHELL SIZE	$\phi A$	$\phi B$	$\phi C$	D
UMG	1.12	1.00	1.00	1-10 ACME-2G
UMK	1.37	1.25	1.25	1 1/4-10 ACME-2G
UML	1.62	1.50	1.50	1 1/2-10 ACME-2G MODIFIED