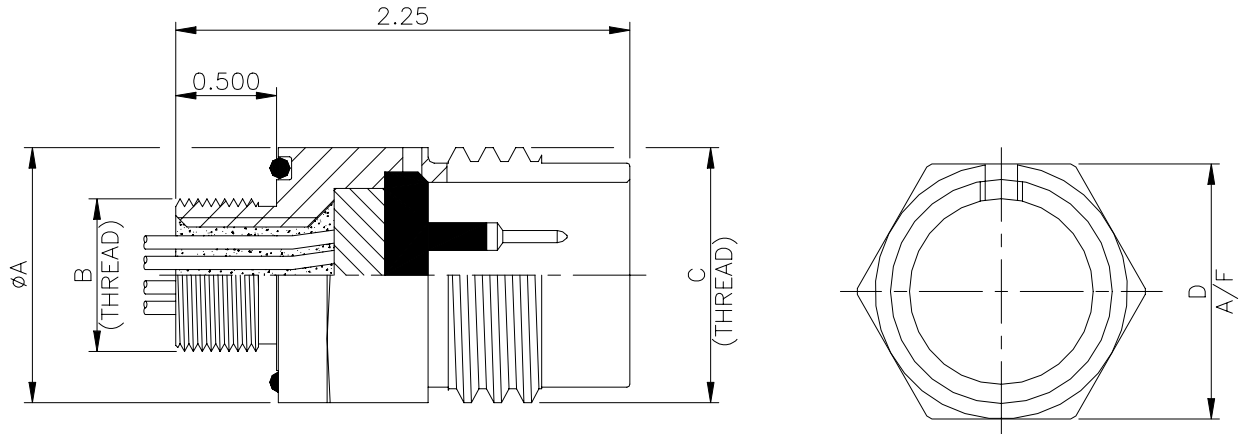
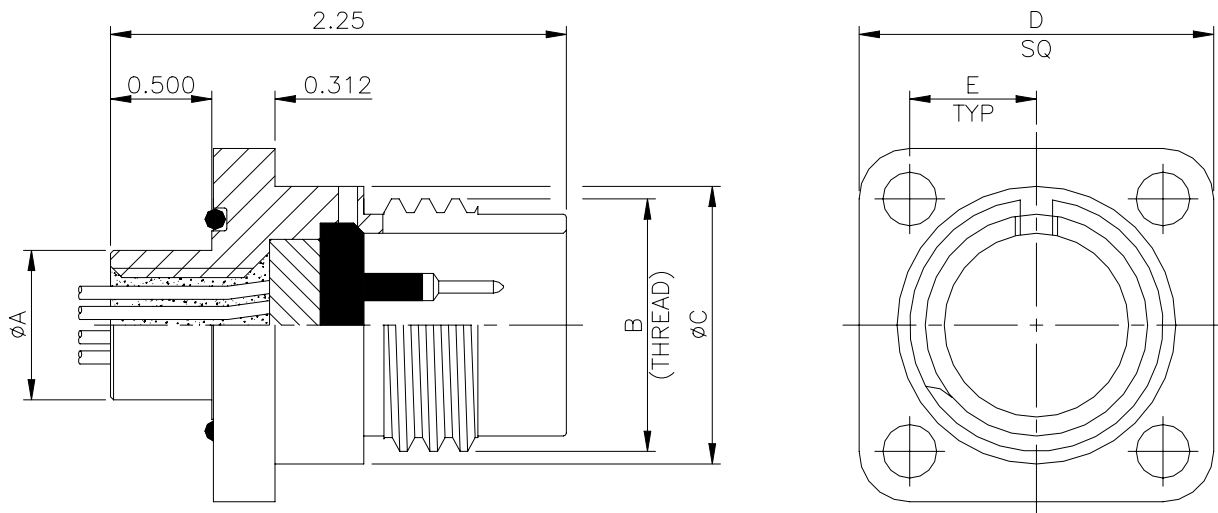


Bulkhead Connector Details



Bulkhead Connector Receptacle
(BCR)

SHELL SIZE	Ø A	B	C	D
UMG	1.00	5/8-18 UNF-2A	1-10 ACME-2G	1.00
UMK	1.25	3/4-16 UNF-2A	1 1/4-10 ACME-2G	1.25
UML	1.50	1-14 UNS-2A	1 1/2-10 ACME-2G MODIFIED	1.50



Flanged Connector Receptacle
(FCR)

SHELL SIZE	Ø A	B	Ø C	D	E
UMG	0.625	1-10 ACME-2G	1.12	1.50	0.50
UMK	0.74	1 1/4-10 ACME-2G	1.37	1.75	0.625
UML	1.00	1 1/2-10 ACME-2G MODIFIED	1.62	2.00	0.75