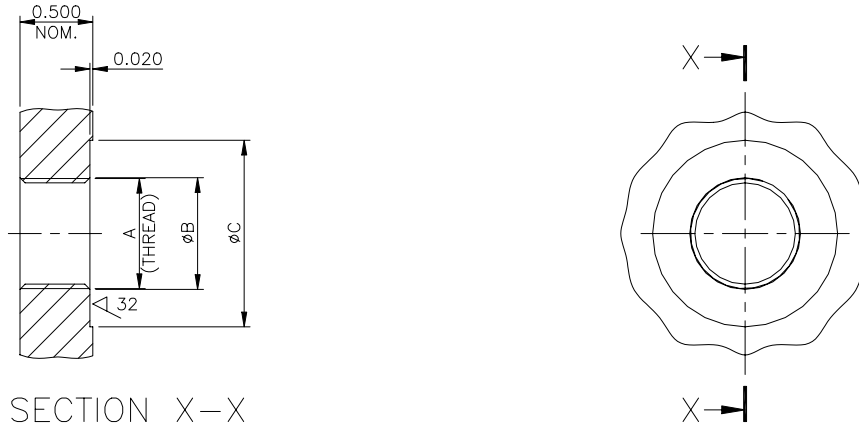
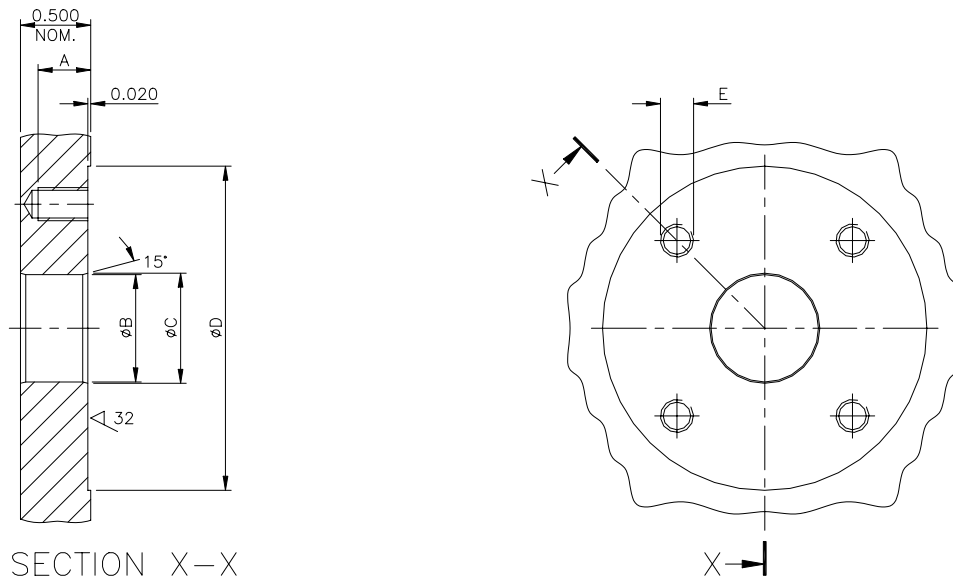


Interface Details



Bulkhead Connector Interface
(BCR)

| SHELL SIZE | A | Ø B | Ø C |
|------------|---------------|-------|------|
| UMG | 5/8-18 UNF-2A | 0.645 | 1.02 |
| UMK | 3/4-16 UNF-2A | 0.77 | 1.27 |
| UML | 1-14 UNS-2A | 1.02 | 1.52 |



Panel Mount Connector Interface
(FCR)

| SHELL SIZE | A | Ø B | Ø C | Ø D | E |
|------------|-------|-------|-------|------|-------------|
| UMG | 0.315 | 0.650 | 0.670 | 1.95 | M5 x 0.8 6H |
| UMK | 0.375 | 0.765 | 0.785 | 2.31 | M6 x 1 6H |
| UML | 0.375 | 1.025 | 1.045 | 2.66 | M6 x 1 6H |