

## VITON® SERIES CONNECTOR



VS-8#22-ILMP-FI & VS-8#22-ILFS-FI

### DESCRIPTION

This 8 way connector pair was designed for a wire line tool which is fitted within an arm leading to a sensing pad. This meant that when the tool was retrieved the sensing pad could be changed out quickly and easily without tooling or special training. As the connector would directly see wellbore fluids at high pressures and temperatures the connector is moulded in VITON®. The cable has an outer jacket of ETFE so a booting technique has been used to seal to the cable jacket. This gives the benefit that the free half connectors are field installable, but soldering is required.

The connection philosophy is based around our standard WET-CON connector range. The pin contact has a sealing diameter and when this is connected into the socket bore two integrally moulded o-rings impinge onto this diameter. This means that there are two o-ring seals between contact and earth and four o-ring seals between different contacts. As there are no pressure differentials in the design the connector pair are pressure tolerant.

### KEY FEATURES

- High temperature rating
- High pressure rating
- Excellent electrical properties
- Eight electrical contacts
- Harsh environment compatible
- Positive external grip for disconnection
- Small size and weight
- Field installable free halves
- Push-on pull-off design (sealing retention retains connectors)
- Keying achieved by contact face pattern
- Wet mateable



## SEACON (europe) LTD PRODUCT DATASHEET

### DESIGN SPECIFICATION

- Max working pressure: 1380 bar (20,000 psi) mated or unmated
- Max continuous working temperature: +200°C (392°F)
- Min continuous working temperature: -17°C (1.4°F)
- Min storage temperature: -40°C (-40°F)
- Voltage: 600 VDC/440 VAC
- Current (max): 2.5 amps

### MATERIALS

- Pin & socket contact: 22AWG Copper alloy, Gold plated. Socket incorporates a Multilam™ for positive electrical contact
- Connector body: Moulded in 100% DuPont VITON® fluoroelastomer grade 'A'. It has a continuous temperature rating of -17°C to 250°C (1.4°F to 482°F)
- Cable: Raychem Spec 55. 22AWG with cross linked ETFE polymer jacket. It has a continuous temperature rating of -65°C to 200°C (149°F to 392°F) and short periods at 400°C (752°F) and combines the easy handling of a flexible wire with excellent scrape, abrasion and cut through characteristics
- Solder: High temperature solder is used to solder the wire to the contact

### CONFIGURATION

- See Page 3

### QUALIFICATION

- A pair of connectors has successfully been laboratory tested to 1725 bar (25,000 psi) and 200°C (392°F)
- A pair of connectors has successfully been installed in a wire line tool within a test well at a depth of 360m (1,200 ft)

### QUALITY

- SEACON (europe) Ltd operate a Quality Management System accredited to ISO 9001.



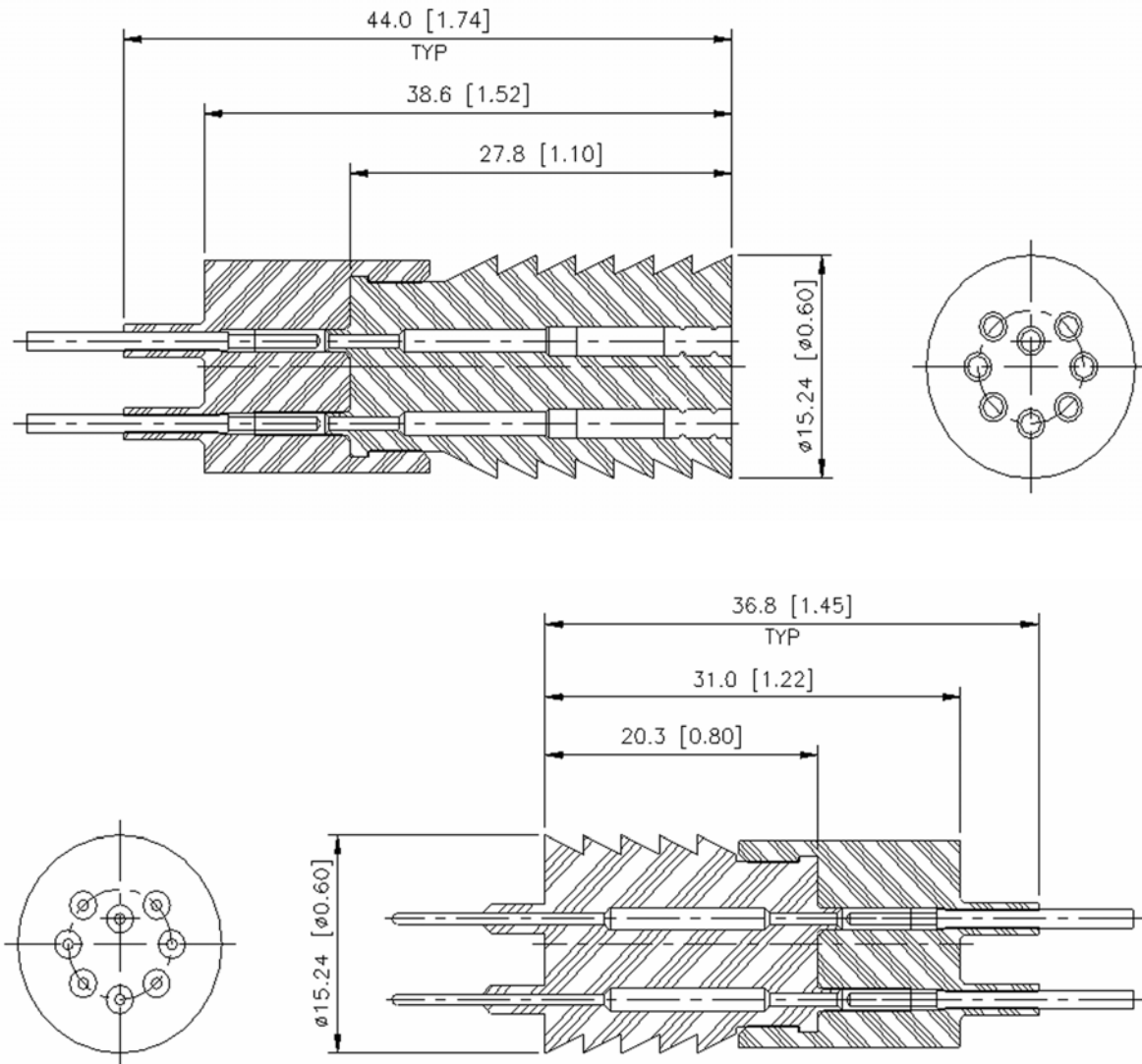


Figure 2 - VS-8#22-ILFS-FI & VS-8#22-ILMP-FI

All reasonable efforts have been taken to ensure that the information contained herein is accurate at the date of publication, but no representation or warranty as to the accuracy or completeness of such information is intended or to be implied by its inclusion herein. Any and all representations and warranties pertaining to the information and products referred to herein shall be set forth in SEACON standard sales order form. In addition, SEACON reserves the right to make changes to the contents hereof without notice, therefore it is suggested that at the time of inquiry, the appropriate sales office or factory be contacted directly for verification of published specifications and products availability.

© 2014 SEACON (europe) Ltd  
ALL RIGHTS RESERVED