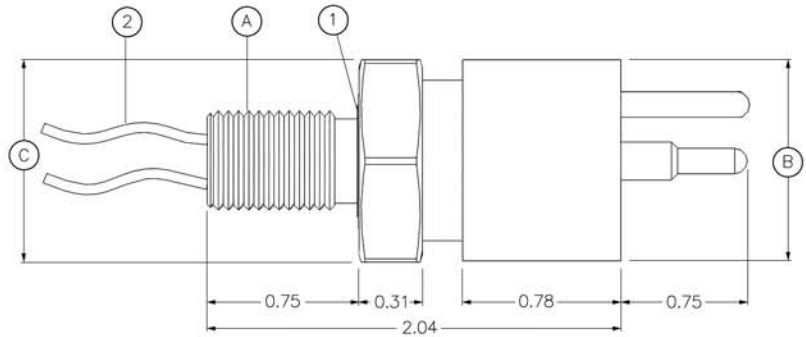
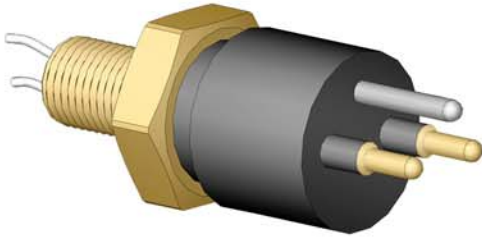


**WET-CON SERIES
BH-MP
(2 - 10 contacts)**

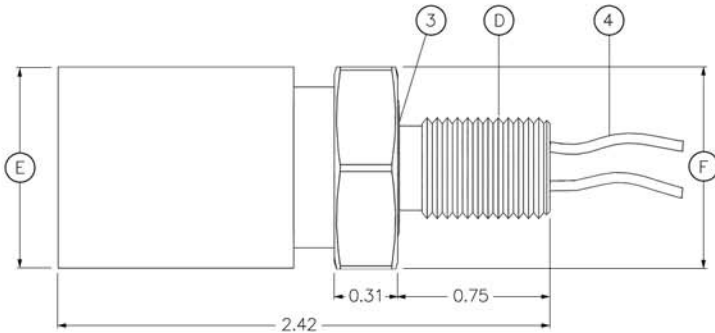
WET-CON Bulkhead Connector Male Plug
Mates with IL-FS
Dummy Connector: DC-FS



CONNECTOR	A - THREAD	1 - O-RING	B - Ø (INCHES)	C - HEX FLATS (INCHES)	2 - HOOK-UP WIRE
BH-2-MP	7/16-20 UNF-2A	2-014	1.00	0.75	18 AWG
BH-3-MP	7/16-20 UNF-2A	2-014	1.00	0.75	18 AWG
BH-4-MP	7/16-20 UNF-2A	2-014	1.00	0.75	18 AWG
BH-6-MP	5/8-18 UNF-2A	2-017	1.25	1.00	18 AWG
BH-8-MP/MPX*	5/8-18 UNF-2A	2-017	1.25	1.00	18 AWG
BH-10-MP	5/8-18 UNF-2A	2-017	1.25	1.00	18 AWG

**WET-CON SERIES
BH-FS
(2 - 10 contacts)**

WET-CON Bulkhead Connector Female Socket
Mates with IL-MP
Dummy Connector: DC-MP



CONNECTOR	D - THREAD	3 - O-RING	E - Ø (INCHES)	F - HEX FLATS (INCHES)	4 - HOOK-UP WIRE
BH-2-FS	7/16-20 UNF-2A	2-014	1.00	0.75	18 AWG
BH-3-FS	7/16-20 UNF-2A	2-014	1.00	0.75	18 AWG
BH-4-FS	7/16-20 UNF-2A	2-014	1.00	0.75	18 AWG
BH-6-FS	5/8-18 UNF-2A	2-017	1.25	1.00	18 AWG
BH-8-FS/FSX*	5/8-18 UNF-2A	2-017	1.25	1.00	18 AWG
BH-10-FS	5/8-18 UNF-2A	2-017	1.25	1.00	18 AWG

NOTES:

- Bulkhead mounting torque: 7/16 thread = 50 inch pounds. 5/8 thread = 85 inch pounds.
- Nut and washer: Optional.
- Dummy Connector: Optional.
- Dummy Shorting Plug: Optional.
- O-Ring: Nitrile (formerly known as Buna N).
- Bulkhead leads are tagged with pin number.
- Connectors must be lubricated prior to mating.
- Torque values referenced in this literature assume installation into dry metal threads. For other applications, please contact SEA CON® for recommendations.
- Connectors are designed for installation on one atmosphere vessels. Contact SEA CON® for recommendations if using compensated vessels.
- For contact configurations please refer to page 14.
- * No guide pin. MPX/FSX connectors are recommended for new applications.