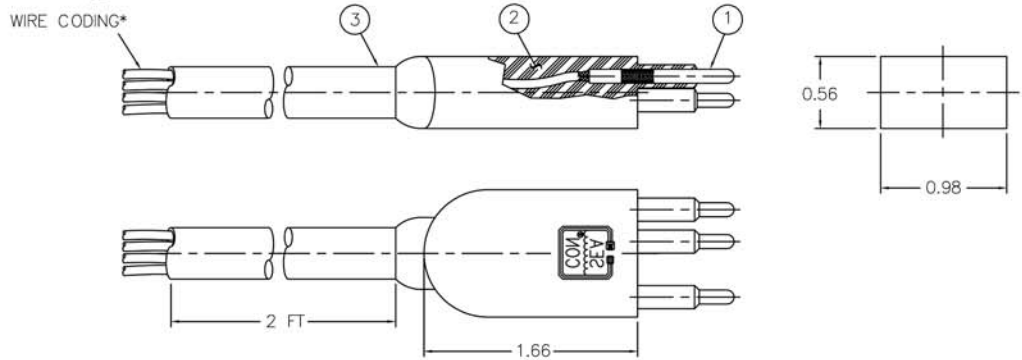


WET-CON SERIES LPIL-MP

WET-CON Low Profile In-Line Connector Male Plug
Mates with LPBH-FS & LPIL-FS



NOTES:

- 1 - PIN: CA 630 & Gold Plated per ASTM-B488-95.
- 2 - RUBBER MOLD: Neoprene Mold per B/A X-5727.
- 3 - CABLE: 16/3 SOW or 16/4 SOW.

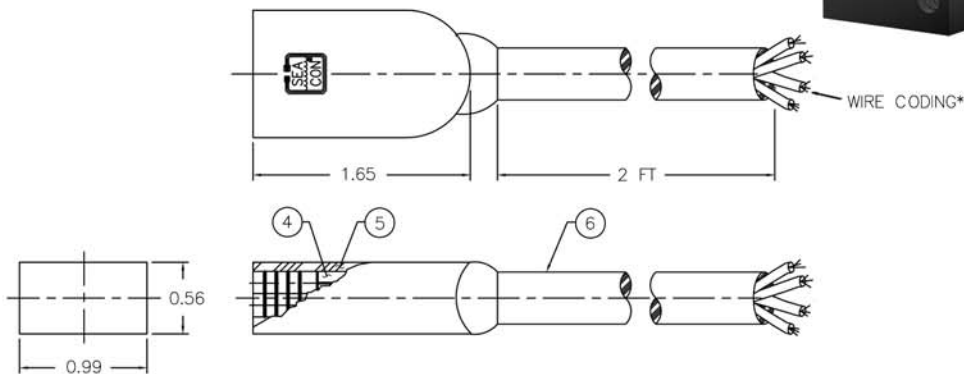
· PRESSURE RATING: 20,000 psi mated.

WIRE COLOR CODE

CONTACT NUMBER	COLOR
1	BLACK
2	WHITE
3	RED
4	GREEN

WET-CON SERIES LPIL-FS

WET-CON Low Profile In-Line Connector Female Socket
Mates with LPBH-MP & LPIL-MP



NOTES:

- 1 - SOCKET: CA 630 per MSBA-019.
- 2 - RUBBER MOLD: Neoprene per MSNBA-027.
- 3 - CABLE: 16/3 SOW or 16/4 SOW.

· PRESSURE RATING: 20,000 psi mated.