

WATER-BLOCKED WET-CON



Water-Blocked WET-CON

DESCRIPTION

The new water blocked bulkhead WET-CON was developed to be used in applications where there will be reverse pressure applied to the connector i.e. subsea electronic pods or ROV systems. This new design is back pressure rated to 100 psi.

KEY FEATURES

- Inexpensive and reliable
- Suitable for a variety of applications
- Available from 2 to 16 contacts
- Optional materials available
- Short delivery times

DESIGN SPECIFICATION

- Current carrying capacity 19 amps per contact (subject to cable)*
- Contact Resistance: <0.01 ohms
- Insulation Resistance: >500 megohms after wet mating
- Mating Cycles: >500 wet matings**
- Operating Voltage: 600 VDC
- Pressure Ratings:
 - Mated condition In-line: 20,000 psi (46,000ft)
 - Mated condition Bulkhead: 10,000 psi (23,000ft)
 - Open face pressure Bulkhead: 1,000 psi (2,300ft)

* Maximum current carrying capacity for contacts may be affected by cable selection

** Provided proper handling procedures are adhered to



SEACON (europe) LTD
PRODUCT DATASHEET

MATERIALS

	Standard	Optional
Connector Body	Neoprene	Hypalon
Bulkhead Shell	DGS 1043 or CA630 per QQ-C-465	316 Stainless Steel (no cost option)
		6061-T6 Aluminium, Hard Anodized
Contacts	Copper Alloy Gold plated per MIL-G-45204	
Guide Pins	304 Stainless Steel	
O-Rings	Buna N, 70 Durometer	
In-Line Cable	#18 AWG SO 18 inch standard length	#14 or #16 AWG SO 18 inch standard length
Bulkhead Pigtails	Teflon® (Registered trademark for DuPont) type E hook-up wire*	
Locking Sleeves		Delrin® (DuPont trademark for Acetal Resin)
Bulkhead Nut/Washer		Brass or Stainless Steel

**AMPACITY CHART FOR STANDARD PARTS
(18 AWG SO CABLE)**

Part Description	Ampacity	Part Description	Ampacity
• BH-2-WB-FS/MP	7 amps	• BH-6-WB-FS/MP	5.6 amps
• BH-3-WB-FS/MP	7 amps	• BH-8-WB-FS/MP	4.9 amps
• BH-4-WB-FS/MP	5.6 amps		

CONFIGURATIONS

- See following pages

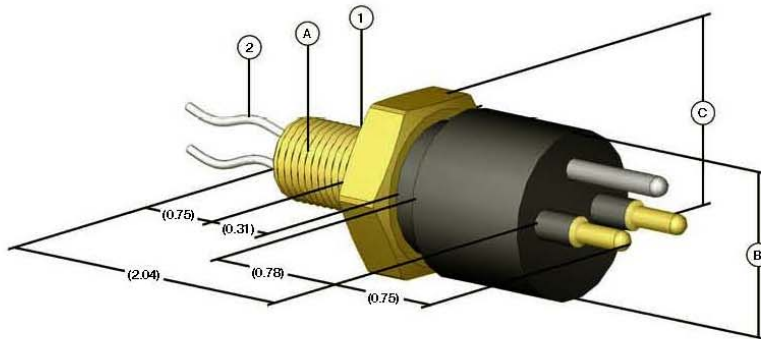
QUALITY

- SEACON (europe) Ltd operate a Quality Management System accredited to 9001.



SEACON

SEACON (europe) LTD PRODUCT DATASHEET



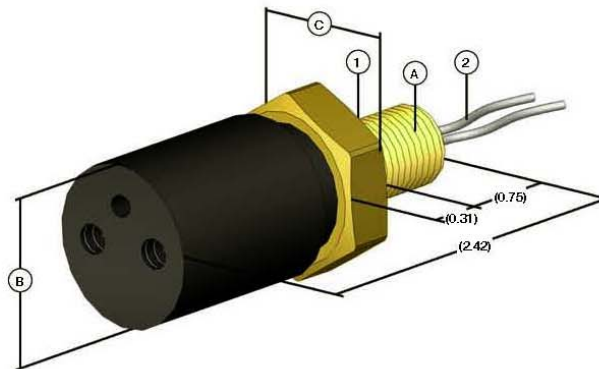
**WET-CON SERIES
BH-MP**
WET-CON Bulkhead Connector
(2-10 contacts)
Mates with IL-FS
Dummy Connector: DC-FS

CONNECTOR	A - THREAD	1 - O-RING	B - (INCHES)	C - HEX FLATS (INCHES)	2 - HOOK-UP WIRE
BH-2-MP	7/16-20 UNF-2A	2-014	1.00	0.75	18 AWG
BH-3-MP	7/16-20 UNF-2A	2-014	1.00	0.75	18 AWG
BH-4-MP	7/16-20 UNF-2A	2-014	1.00	0.75	18 AWG
BH-6-MP	5/8-18 UNF-2A	2-017	1.25	1.00	18 AWG
BH-8-MPX	5/8-18 UNF-2A	2-017	1.25	1.00	18 AWG
BH-10-MPX	5/8-18 UNF-2A	2-017	1.25	1.00	18 AWG

NOTES:

- Bulkhead mounting torque: 7/16 thread = 50 inch pounds.
5/8 thread = 85 inch pounds.
- Nut and washer: Optional.
- Dummy Connector: Optional.
- Dummy Shorting Plug: Optional.
- O-Ring: Nitrile (formerly known as Buna N).
- Bulkhead leads are tagged with pin number.
- Connectors must be lubricated prior to mating.
- Torque values referenced in this literature assume installation into dry metal threads. For other applications, please contact SEACON® for recommendations.
- Connectors are designed for installation on one atmosphere vessels. Contact SEACON® for recommendations if using compensated vessels.

**WET-CON SERIES
BH-FS**
WET-CON Bulkhead Connector
(2-10 contacts)
Mates with IL-MP
Dummy Connector: DC-MP



CONNECTOR	A - THREAD	1 - O-RING	B - (INCHES)	C - HEX FLATS (INCHES)	2 - HOOK-UP WIRE
BH-2-FS	7/16-20 UNF-2A	2-014	1.00	0.75	18 AWG
BH-3-FS	7/16-20 UNF-2A	2-014	1.00	0.75	18 AWG
BH-4-FS	7/16-20 UNF-2A	2-014	1.00	0.75	18 AWG
BH-6-FS	5/8-18 UNF-2A	2-017	1.25	1.00	18 AWG
BH-8-FSX	5/8-18 UNF-2A	2-017	1.25	1.00	18 AWG
BH-10-FSX	5/8-18 UNF-2A	2-017	1.25	1.00	18 AWG

SCE-DS-0003

WATER-BLOCKED WET-CON
Rev 2
December 2014
Page 3 of 7

SEACON (europe) Ltd

Seacon House, Hewett Road, Capton Hall Industrial Estate,
Great Yarmouth, NR31 0RB, United Kingdom
TEL: +44 (0) 1493 652733 FAX: +44 (0) 1493 652840
E-Mail: info@seaconeurope.com Website: www.seaconeurope.com

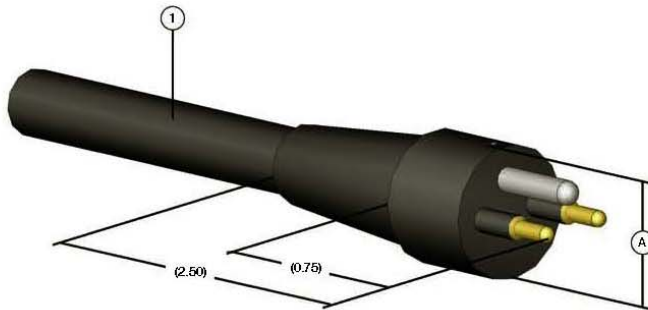


SEACON

SEACON (europe) LTD PRODUCT DATASHEET

WET-CON SERIES IL-MP

WET-CON In-Line Connector
(2-10 contacts)
Mates with BH-FS and IL-FS
Dummy Connector: DC-FS



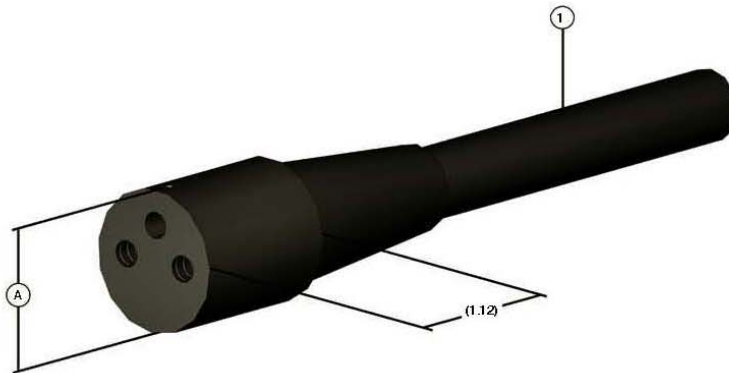
CONNECTOR	A - (INCHES)	1 - CABLE
IL-2-MP	1.00	18/2 SO
IL-3-MP	1.00	18/3 SO
IL-4-MP	1.00	18/4 SO
IL-6-MP	1.25	18/6 SO
IL-8-MPX	1.25	18/8 SO
IL-10-MPX	1.25	18/10 SO

NOTES:

- Locking Sleeve: Optional.
- Dummy Connector: Optional.
- Dummy Shorting Plug: Optional.
- Connectors must be lubricated prior to mating.

WET-CON SERIES IL-FS

WET-CON In-Line Connector
(2-10 contacts)
Mates with BH-MP and IL-MP
Dummy Connector: DC-MP



CONNECTOR	A - (INCHES)	1 - CABLE
IL-2-FS	1.00	18/2 SO
IL-3-FS	1.00	18/3 SO
IL-4-FS	1.00	18/4 SO
IL-6-FS	1.25	18/6 SO
IL-8-FSX	1.25	18/8 SO
IL-10-FSX	1.25	18/10 SO

MPX/FSX connectors are recommended for new applications.

SCE-DS-0003

WATER-BLOCKED WET-CON
Rev 2
December 2014
Page 4 of 7

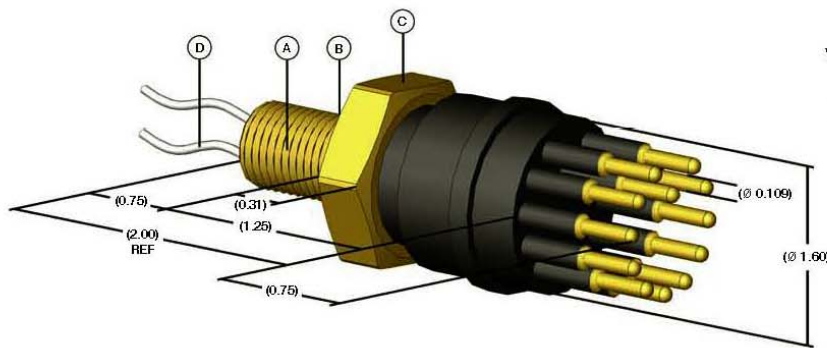
SEACON (europe) Ltd

Seacon House, Hewett Road, Gapton Hall Industrial Estate,
Great Yarmouth, NR31 0RB, United Kingdom
TEL: +44 (0) 1493 652733 FAX: +44 (0) 1493 652840
E-Mail: info@seaconeurope.com Website: www.seaconeurope.com



SEACON

SEACON (europe) LTD PRODUCT DATASHEET



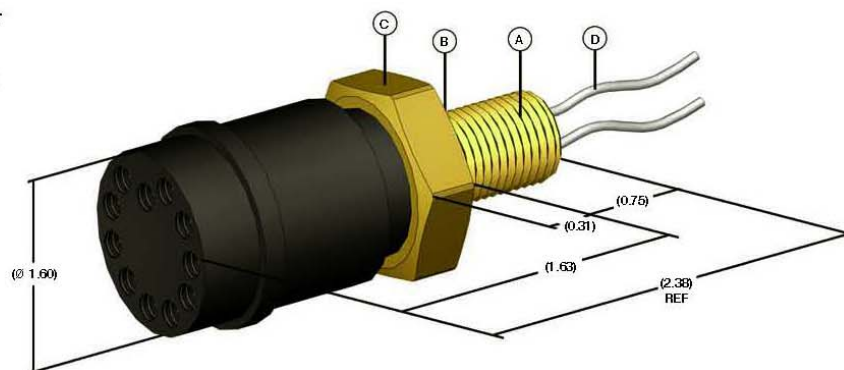
**WET-CON SERIES
BH-MPX**
WET-CON Bulkhead Connector
(12-16 contacts)
Mates with IL-FSX
Dummy Connector: DC-FSX

CONNECTOR	A - THREAD	B - O-RING	C - HEX FLATS (INCHES)	CONNECTOR Ø	D - HOOK-UP WIRE
BH-12-MPX	5/8-18 UNF-2A	2-017	1.00	1.60	18 AWG
BH-16-MPX	3/4-16 UNF-2A	2-118	1.25	1.60	18 AWG

NOTES:

- Bulkhead Mounting Torque: 5/8 Thread = 85 inch pounds
3/4 Thread = 85 inch pounds
- Locking Sleeve: Optional.
- Nut and washer: Optional.
- Dummy Connector: Optional.
- Dummy Shorting Plug: Optional.
- O-Ring: Nitrile (formerly known as Buna N).
- Bulkhead leads are tagged with pin number.
- Connectors must be lubricated before mating.
- Torque values referenced in this literature assume installation into dry metal threads. For other applications, please contact SEACON® for recommendations.
- Connectors are designed for installation on one atmosphere vessels. Contact SEACON® for recommendations if using compensated vessels.

**WET-CON SERIES
BH-FSX**
WET-CON Bulkhead Connector
(12-16 contacts)
Mates with IL-MPX
Dummy Connector: DC-MPX

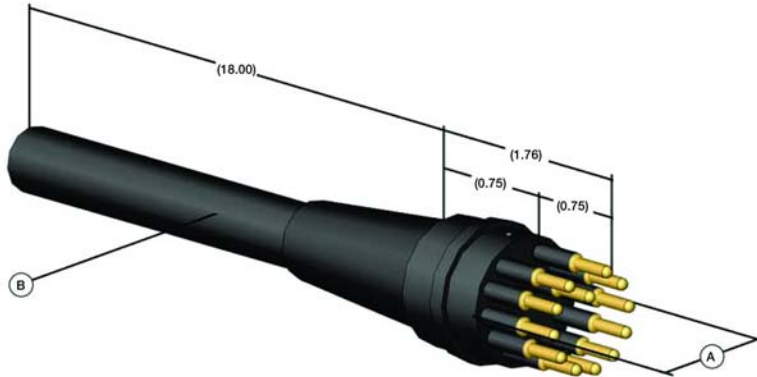


CONNECTOR	A - THREAD	B - O-RING	C - HEX FLATS (INCHES)	CONNECTOR Ø	D - HOOK-UP WIRE
BH-12-FSX	5/8-18 UNF-2A	2-017	1.00	1.60	18 AWG
BH-16-FSX	3/4-16 UNF-2A	2-118	1.25	1.60	18 AWG

MPX/FSX connectors are recommended for new applications.

SEACON

SEACON (europe) LTD PRODUCT DATASHEET



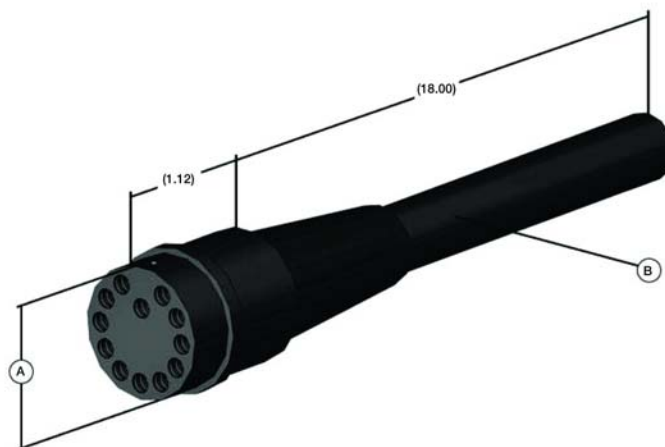
**WET-CON SERIES
IL-MPX**
WET-CON In-Line Connector
(12-16 contacts)
Mates with BH-FSX and IL-FSX
Dummy Connector: DC-FSX

CONNECTOR	A - (INCHES)	B - CABLE
IL-12-MPX	1.60	18/12 SO
IL-16-MPX	1.60	18/16 SO

NOTES:

- IL-16-MPX WOC is not available, substitute with BH-16-MPX.
- Locking Sleeve: Optional.
- Dummy Connector: Optional.
- Connectors must be lubricated before mating.
- Shorting plugs are available should you require the ability of looping together 'like' circuits for testing purposes within the dummy. Pin to pin shorting details need to be supplied at time of order placement.

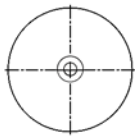
**WET-CON SERIES
IL-FSX**
WET-CON Bulkhead Connector
(12-16 contacts)
Mates with BH-MPX and IL-MPX
Dummy Connector: DC-MPX



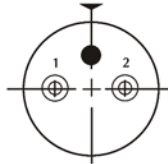
CONNECTOR	A - (INCHES)	B - CABLE
IL-12-FSX	1.60	18/12 SO
IL-16-FSX	1.60	18/16 SO

MPX/FSX connectors are recommended for new applications.

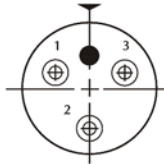
FACE PATTERNS



IL-1-FS



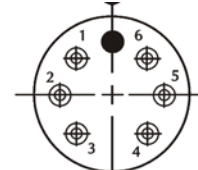
IL-2-FS



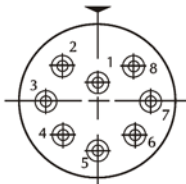
IL-3-FS



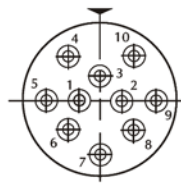
IL-4-FS



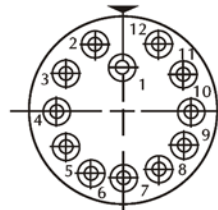
IL-6-FS



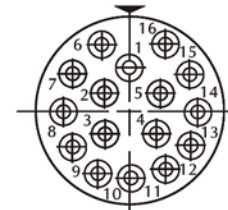
IL-8-FSX



IL-10-FSX



IL-12-FSX



IL-16-FSX

NOTE:

Female face view only. For male face view contact configurations please contact SEACON (europe) Ltd.

STANDARD WIRING COLOR CODE

STANDARD IN-LINE COLOR CODE (SO CABLE)

CONTACT #	COLOR	CONTACT #	COLOR
1	BLACK	9	GREEN/BLACK
2	WHITE	10	ORANGE/BLACK
3	RED	11	BLUE/BLACK
4	GREEN	12	BLACK/WHITE
5	ORANGE	13	RED/WHITE
6	BLUE	14	GREEN/WHITE
7	WHITE/BLACK	15	BLUE/WHITE
8	RED/BLACK	16	BLACK/RED

All reasonable efforts have been taken to ensure that the information contained herein is accurate at the date of publication, but no representation or warranty as to the accuracy or completeness of such information is intended or to be implied by its inclusion herein. Any and all representations and warranties pertaining to the information and products referred to herein shall be set forth in SEACON standard sales order form. In addition, SEACON reserves the right to make changes to the contents hereof without notice, therefore it is suggested that at the time of inquiry, the appropriate sales office or factory be contacted directly for verification of published specifications and products availability.

© 2014 SEACON (europe) Ltd
ALL RIGHTS RESERVED